



OSIM 
LUP 
PIC 
GIO
AERO
RAM 
OTT 
DELFINO
DISC 
CUB 
COZY 
PRONT 
TRANQUILLO 

WORKSTATIONS



OSIMO



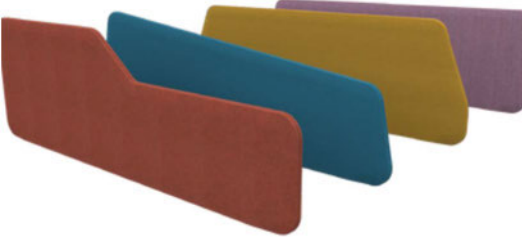
LUPO



PICO



GIO



AERO

COLLABORATION SPACES



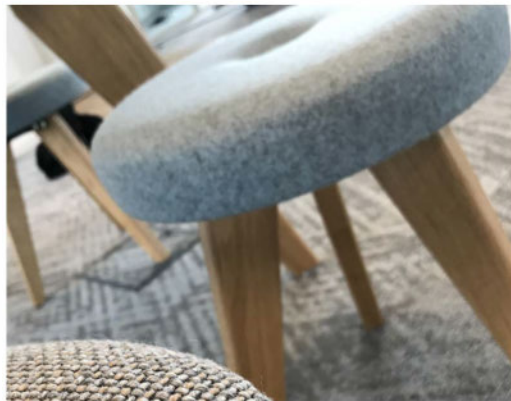
RAMO POSEUR



RAMO DINING



RAMO COFFEE



RAMO STOOL



OTTO POSEUR



OTTO DINING



COLLABORATION SPACES



DELFINO



DELFINO COLUMN

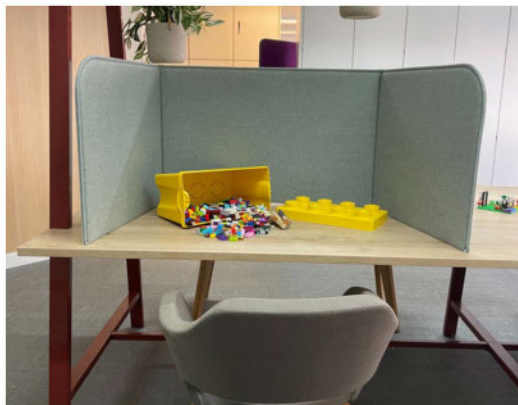


DISCO WALL



CUBO

COSY SPACES



COZY SCREEN



PRONTO



TRANQUILLO WORK



TRANQUILLO BOOTH

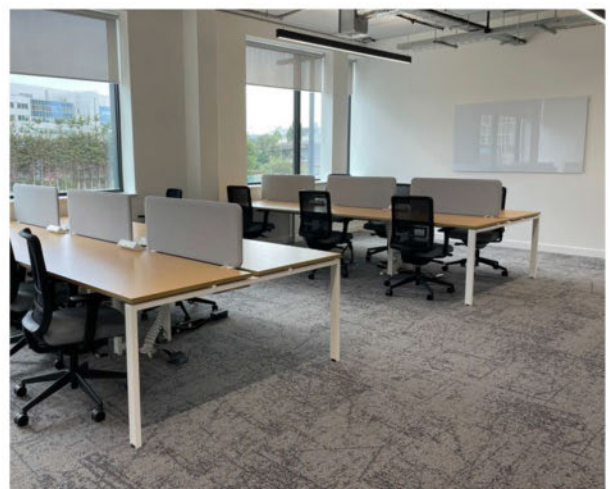
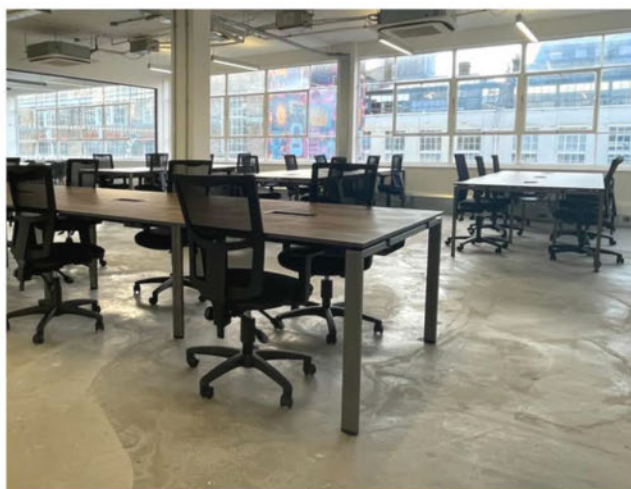
OSIMO

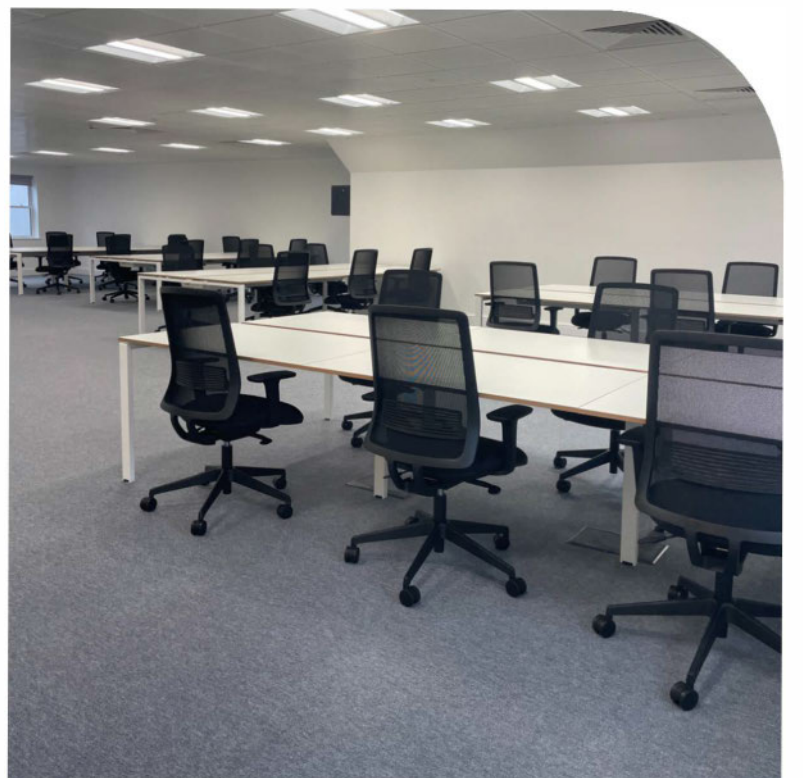
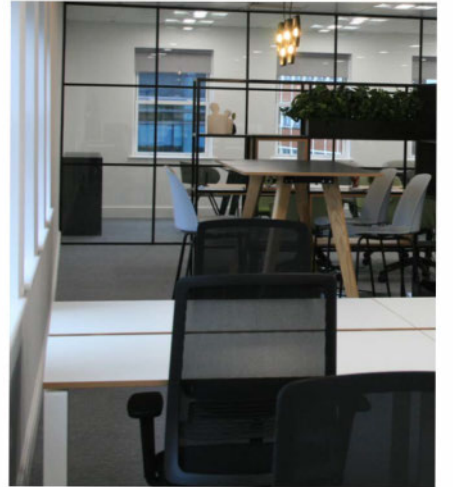
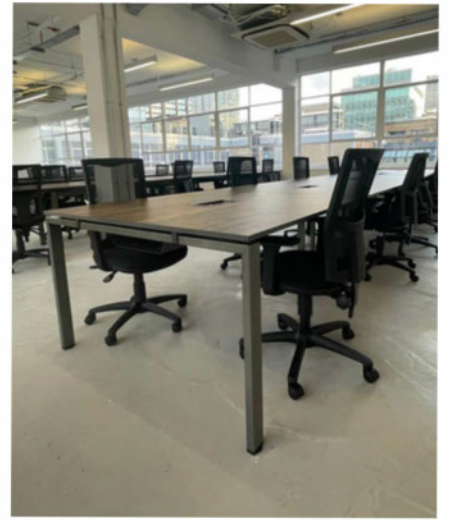


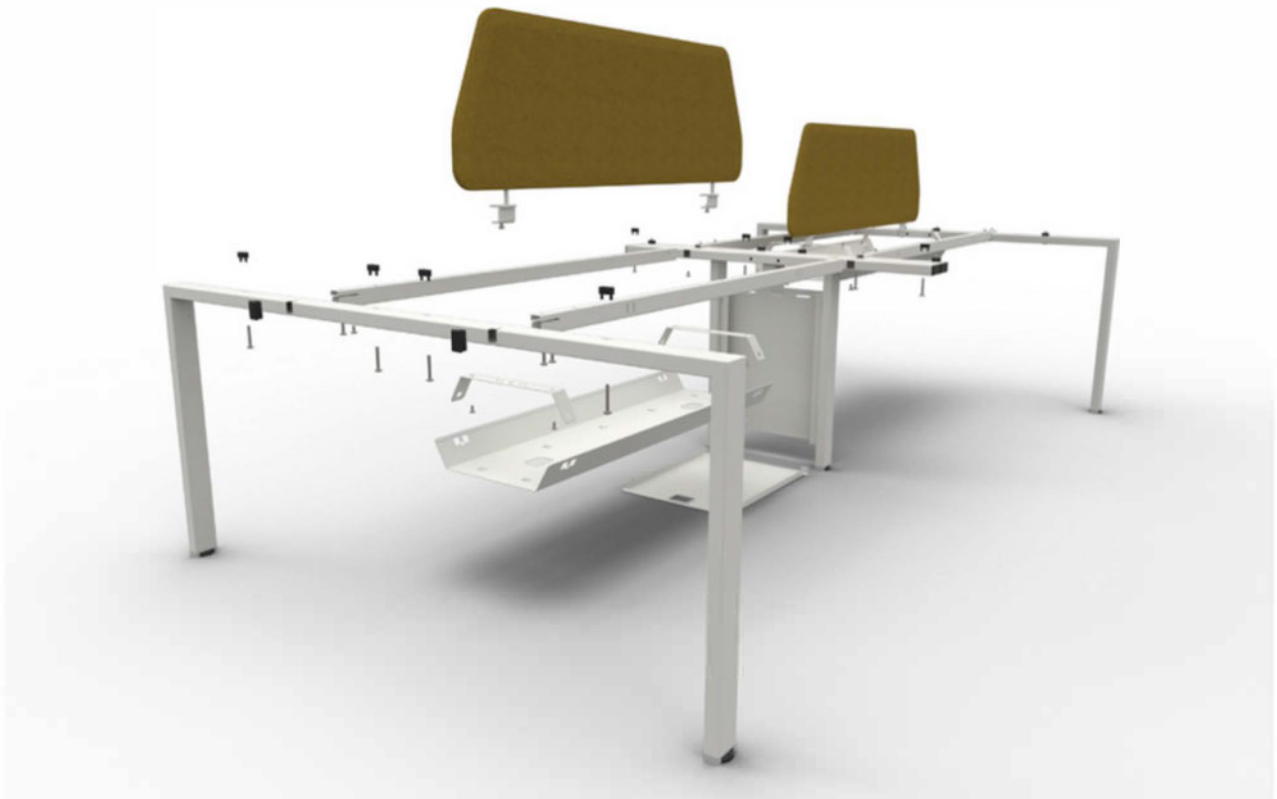

insieme
TOGETHER

OSIMO

The Osimo Bench platform has been designed to use the minimum amount of components possible. The system utilises an innovative leg-to-rail connection to create a stable product whilst providing a cost-effective solution for both desk and bench configurations. The Osimo platform uses a single cross rail on the desk version, and twin cross rails on the bench version, resulting in a universal top drilling pattern across both options, and the intermediate leg frames will enable the construction of multi-person runs.

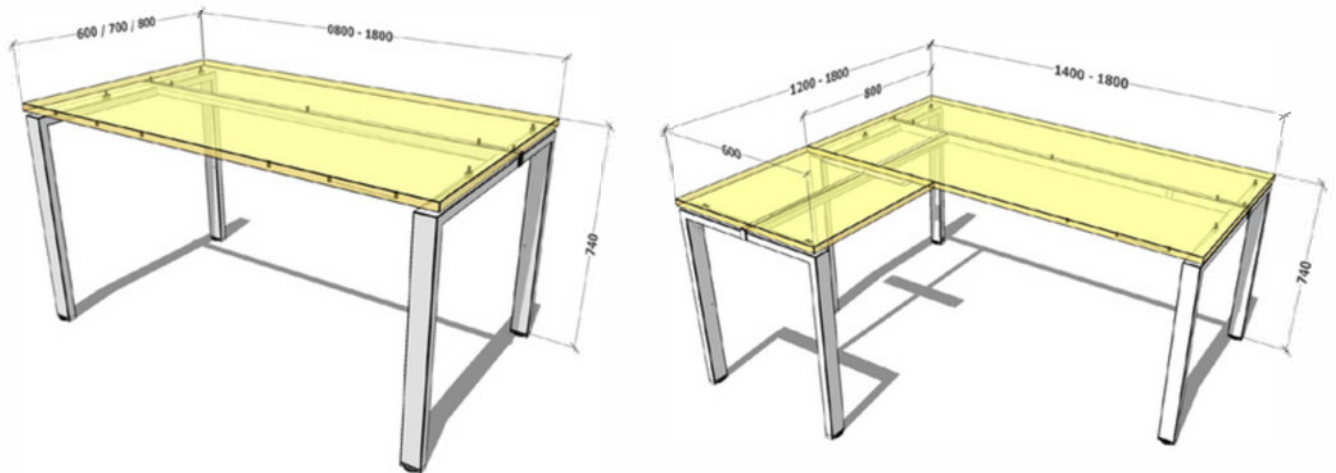




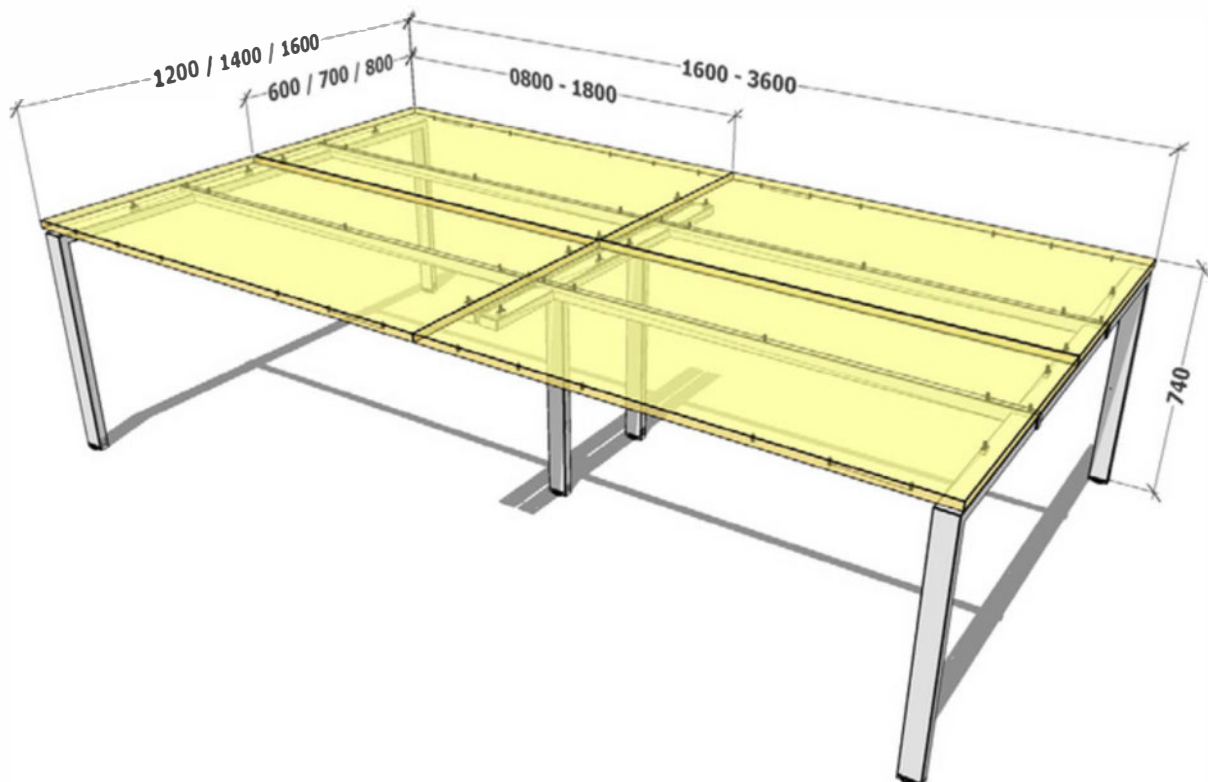


TECHNICAL

The Osimo system ranges from 800 to 1800mm in width and the desk frames are either 600, 700 or 800mm deep. There is also an intermediate leg to allow the creation of inline runs. A radial desk can be created by adding a return beam, leg and associated parts, allowing returns of 1200 -1800.



The back-to-back bench frames are 1200, 1400, or 1600mm deep, and with a universal intermediate leg, multi-person layouts can be constructed. A range of cable trays are available to facilitate cable management, and d-end support brackets, infill panel brackets and modesty panel brackets are also in the range. All end legs are detailed to accept an infill panel or modesty panel bracket.



LUPO




insieme
TOGETHER

Named after the majestic wolf in Italian, this workstation embodies strength, agility, and reliability. With its round 38-diameter curved tubular legs, the Lupo Workstation offers not just a functional workspace, but a statement piece that elevates the aesthetics of any office environment and brings a softer home feel to your space.

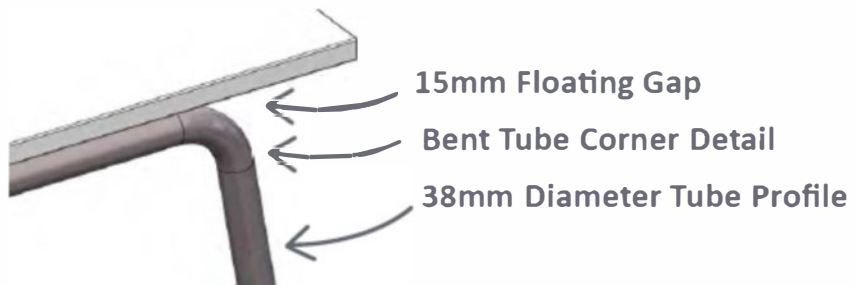
Choose from 12 vibrant steel powder coat finishes, all of which are available across the entire 'Insieme range', ensuring seamless coordination with other furniture pieces.

Whether you prefer bold and striking or subtle and understated, there's a finish to match your style.

The Lupo bench system can also be supplied with sliding tops for IT personnel to access cable trays with ease from above.



TECHNICAL



PICO




insieme
TOGETHER

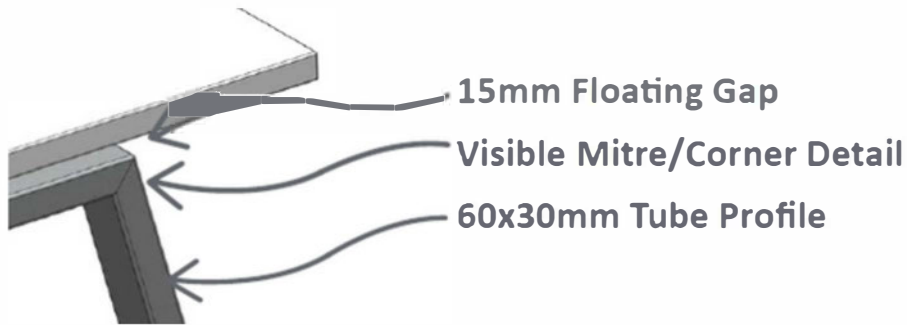
Meet Pico, the latest addition to our bench workstation family, derived from the concept of "telescopic" just like our popular Osimo and Lupo products. Pico stands out with its innovative steelwork, featuring telescopic beams that adapt to various lengths—from 1200mm to 1800mm. This flexibility allows for a wide range of layouts and configurations, using the least amount of stock components. In short, Pico is not just a space-saver but also a forward-thinking, sustainable choice for any modern office.

Key Features:

- 1. Telescopic Beam Design:** Unlike traditional fixed-length beams, Pico's telescopic beams can extend to fit workstation sizes from 1200mm to 1800mm. This design ensures that your workspace can evolve with your needs.
- 2. Vibrant Finishes:** Choose from 12 vibrant steel powder coat finishes that span the entire 'Insieme range'. Whether you're looking for bold and striking or subtle and understated, there's a finish to match your style and ensure a cohesive look throughout your office.
- 3. Sliding Tops:** Ideal for IT personnel, the Pico system can be equipped with sliding tops, providing easy access to cable trays from above.
- 4. Fully Configurable:** The Pico system is highly versatile, allowing for a vast range of configurations. It comes with an extensive array of smart accessories, including return beam kits, conference end extensions, screen brackets, and overhead storage options.
- 5. Adjustable Leg Frames:** Various leg frame sizes can be configured to enable individual or shared returns. Some leg options even include height adjustment for added functionality.



TECHNICAL



Pico is designed to grow and adapt with your business, ensuring that your workspace remains as dynamic and forward-thinking as you are. With its sleek design and extensive customization options, the Pico bench system is the perfect solution for a modern, efficient, and stylish office.



Glo



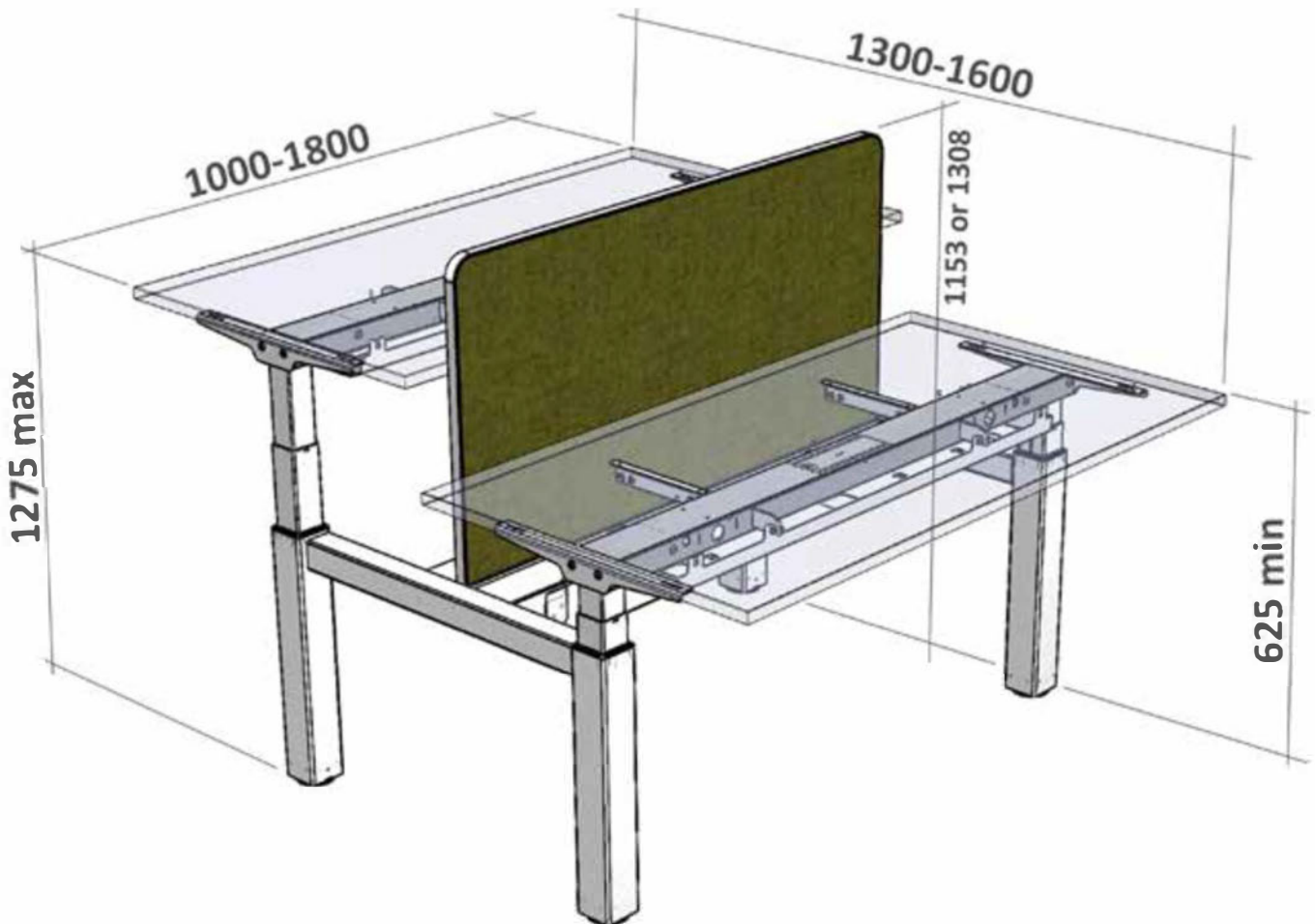

insieme
TOGETHER

GIO

Discover a new way to work that puts your well-being first. Our Gio Height-Adjustable Desks are more than just furniture; they're a statement of your commitment to a healthier lifestyle. Say goodbye to the discomfort of sitting for extended periods and embrace the freedom of effortless height adjustment. Whether you're tackling a project, attending virtual meetings, or simply need a change of pace, Gio desks enable you to seamlessly switch between sitting and standing with a touch of a button. This dynamic movement keeps your muscles engaged, blood flowing, and mind focused. Unlock your full potential by revolutionizing your workspace ergonomics.



Imagine a workday where you're not confined to a static position. Gio Height-Adjustable Desks empower you to alternate between sitting and standing, invigorating your body and mind. Studies show that varying your posture can enhance focus, creativity, and overall vitality. Experience the difference as you effortlessly transition between tasks, enjoying improved concentration and energy levels. The ability to stand up when inspiration strikes or sit down for a concentrated session means you're in control of your work environment like never before. Elevate your productivity and feel the positive impact on your well-being with Gio.



Gio offers a range of colors and sizes, ensuring there's a perfect fit for your unique space and style. With customizable options, you're not just purchasing a desk; you're investing in a tailored work experience. Choose a color that complements your office decor and a size that suits your workflow. Our height-adjustable desks are designed to adapt to your needs, promoting optimal alignment and reducing strain on your body. Whether you have a cozy home office or a bustling corporate environment, Gio desks seamlessly integrate into your workspace, making every moment of your workday count.

GIO



insieme
TOGETHER

GIO

Not all electric workstations are created equal.



LINAK® 
WE IMPROVE YOUR LIFE



LINAK® produces electric linear actuator solutions to create smooth movement in a variety of applications. From healthcare to agriculture, comfort furniture, office interiors, or industrial automation – the options are endless.

PIEZO™ Anti-Collision™ is a hardware-based sensor that reacts to direct obstruction when your office desk is adjusted either up or down. It thereby safeguards your desk from material damage, should it encounter a solid object.

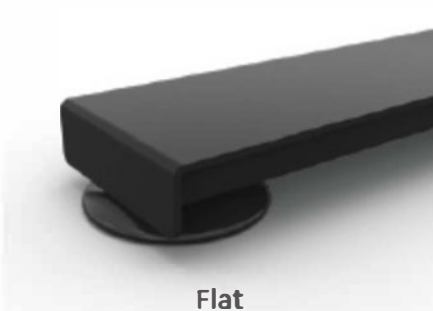
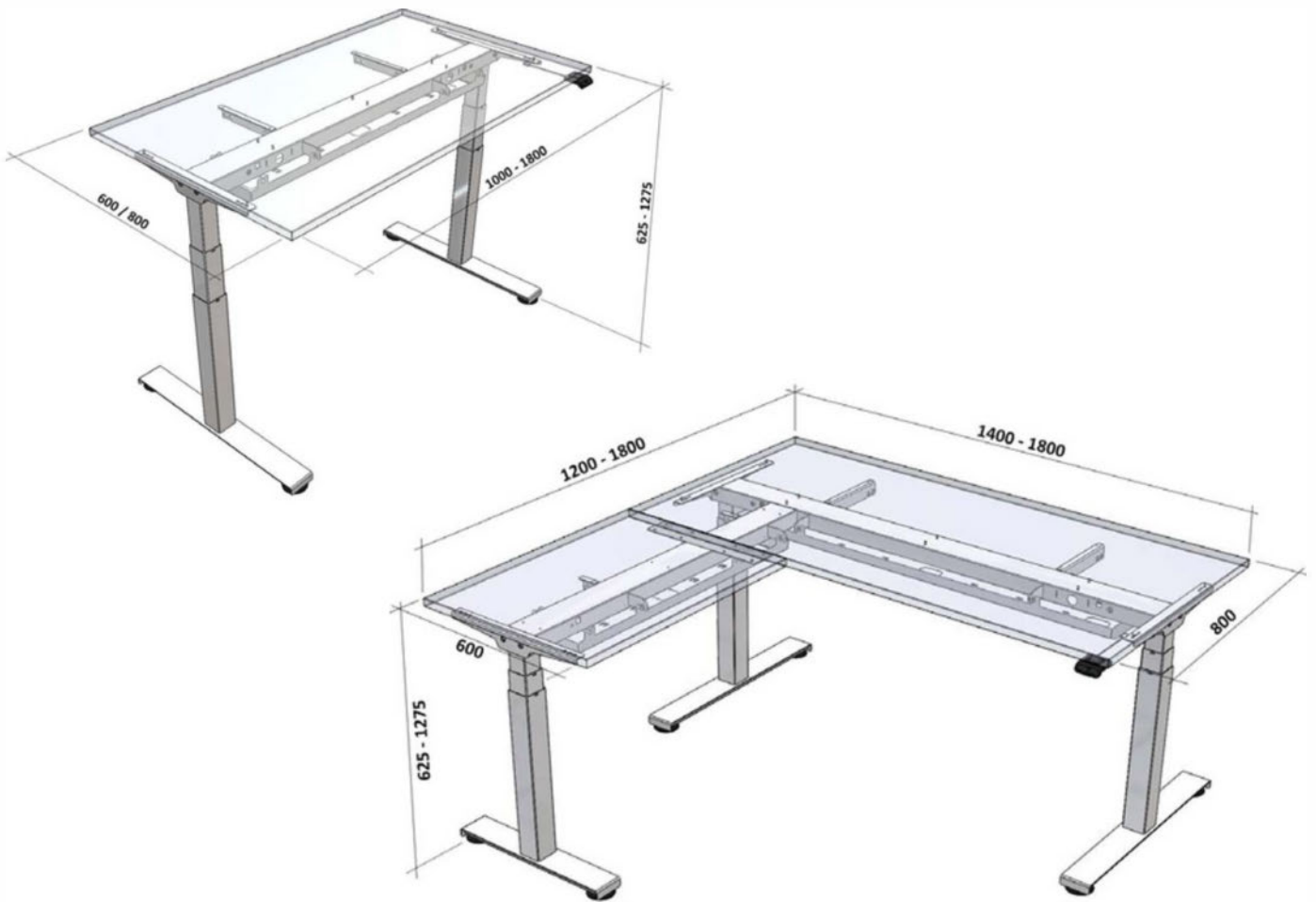
OPTIONAL Desk Control™ App Connect your Desk Panel DPG with your iOS or Android mobile device, or to your desktop PC. Auto-connect, receive motivational notifications, and have statistics with an overview to help utilise the office desk's adjustment function more actively – and ultimately improve work habits.

insieme
TOGETHER



GIO

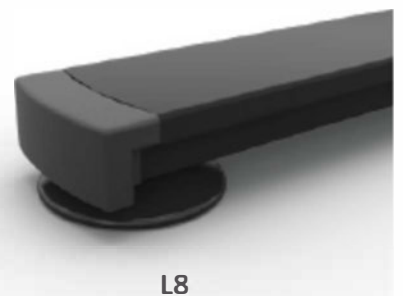
Whether you're in need of a single desk or a bank of workstations, our versatile Gio range seamlessly blends with our other static desk collections in terms of finish. Maintain consistency across your workplace with matching aesthetics that exude professionalism and cohesion. For individual desks, we offer the option to add castors to the feet, allowing flexibility within a space. Additionally, our back-to-back desks come with single-piece tops, transforming into sit/stand meeting tables, enhancing collaboration and adaptability. The future is flexible, adapting to your ever-changing spaces and fast-paced business growth.



Flat



Curved



L8

AERO



Trapezoidal



Quadrilateral



AERO



Straight Top



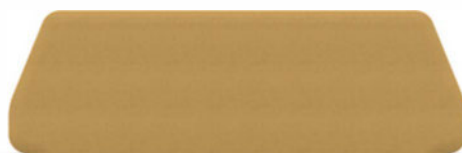
AERO SCREENS

AERO screens and brackets have been designed and engineered to integrate with a broad range of desk types. The AERO screens comprise of 25mm thick fabric covered panels with an aerodynamic frameless edge. Available in a variety of fabrics and the latest colour trends in the office furniture environment.

Choose from a traditional straight top screen or get a bit more playful with either the Wave top, Trapezoidal or Quadrilateral screen shapes.



Straight Top



Trapezoidal



Wave Top



Quadrilateral

FABRIC FINISHES

Camira Blazer Lite or Cara

Discover all colours from the Blazer Lite and Cara ranges here <https://www.camirafabrics.com>



Balance
LTH41



Harmony
LTH63



Dainty
LTH64



Wish
LTH67



Mood
LTH44



Shelter
LTH60



Tender
LTH53



Verity
LTH57



Cuddle
LTH62



True
LTH61



Buddha
LTH56



Worship
LTH59



RAMO




insieme
TOGETHER

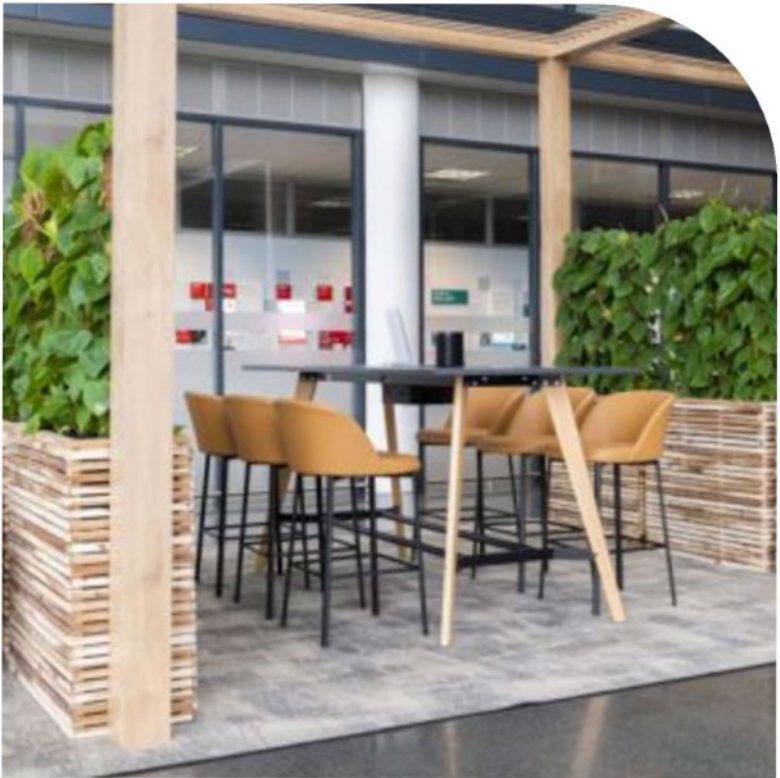
RAMO

Ramo Meet is a modular meeting/boardroom table system. The slim profile of the connecting rails increases knee space around the entire perimeter of the tabletop. Cleverly designed intermediate legs provide support on long spans and assist when splicing together multiple table tops. Ramo Meet is available in 4, 6 and 8 legged configurations.

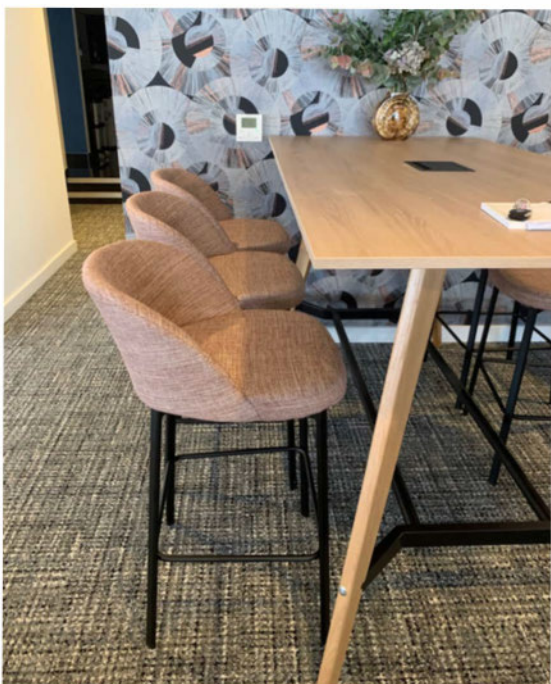
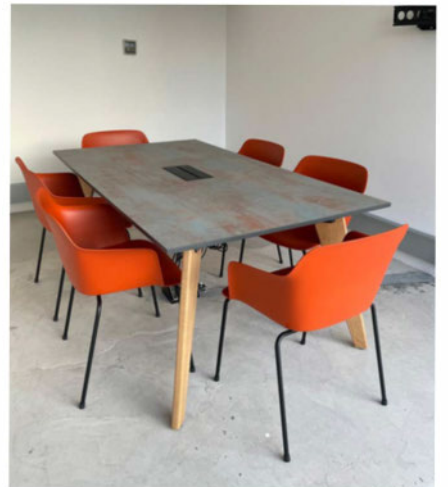
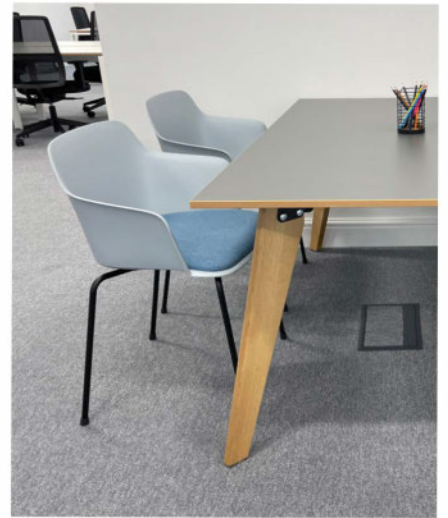
The Ramo range expands from coffee and dining tables to boardrooms, meetings tables, and even workstations.





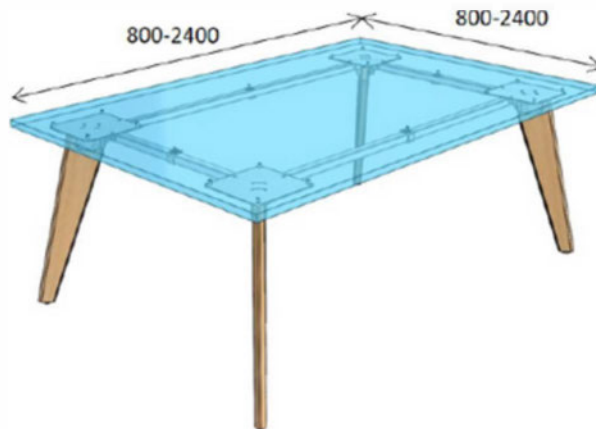




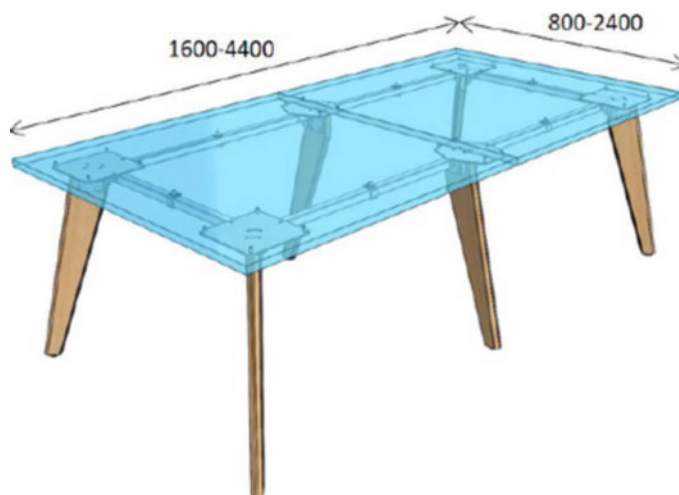


RAMO DINING

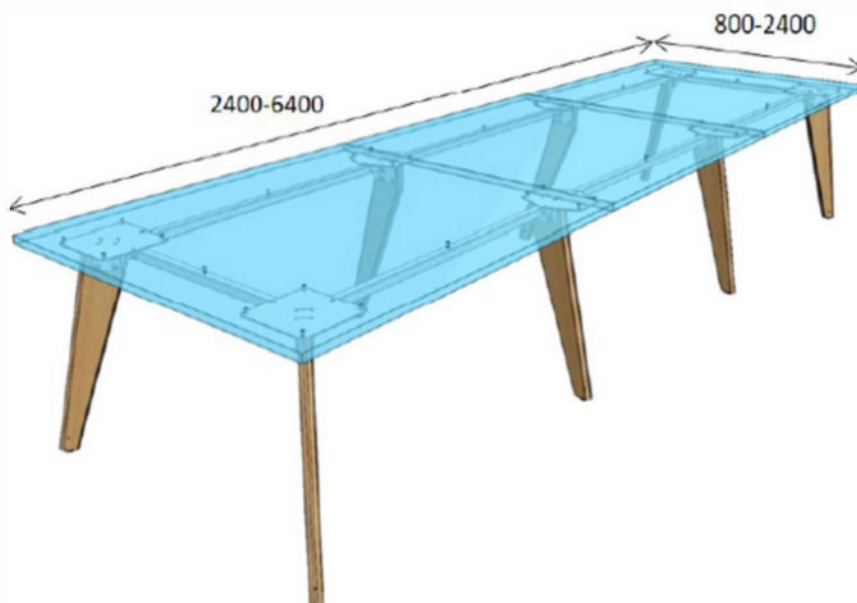
Ramo 4-leg table - one piece top



Ramo 6-leg table - two piece top



Ramo 8 leg table - three piece top



RAMO POSEUR

Ramo Poseur 4 Legs - One Piece Top

Lengths: 1400 to 2400mm

Width: 800mm



Ramo Poseur 4 Legs - Square/Circular - One Piece Top

Lengths: 1000 & 1200mm

Widths: 1000 & 1200mm

Circular: 1200, 1400 & 1600mm



Ramo Poseur 4 Legs - One Piece Top

Lengths: 1400 to 2400mm

Widths: 1000 & 1200mm



RAMO POSEUR

Ramo Poseur 6 Legs - Two Piece Top

Lengths: 2800 to 4000mm

Width: 1000 & 1200mm



Ramo Poseur 4 Legs - One Piece Top

Lengths: 4200 to 5400mm

Widths: 1000 & 1200mm



RAMO COFFEE / STOOL

Ramo Coffee tables



Ramo Sit Stools



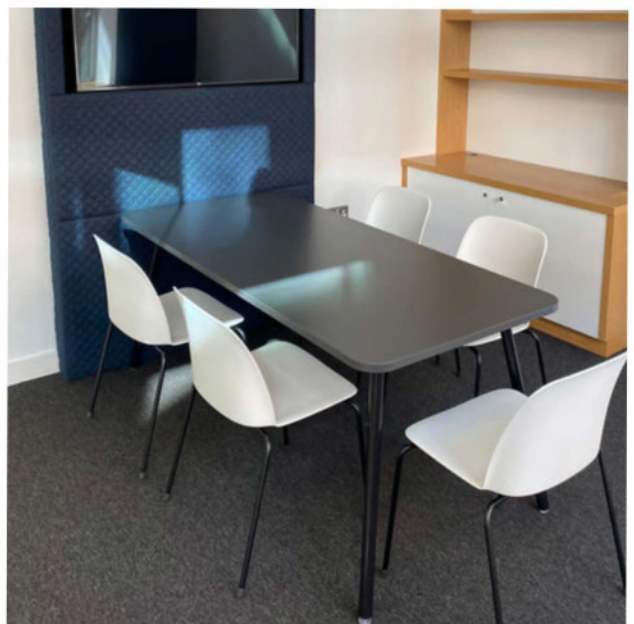
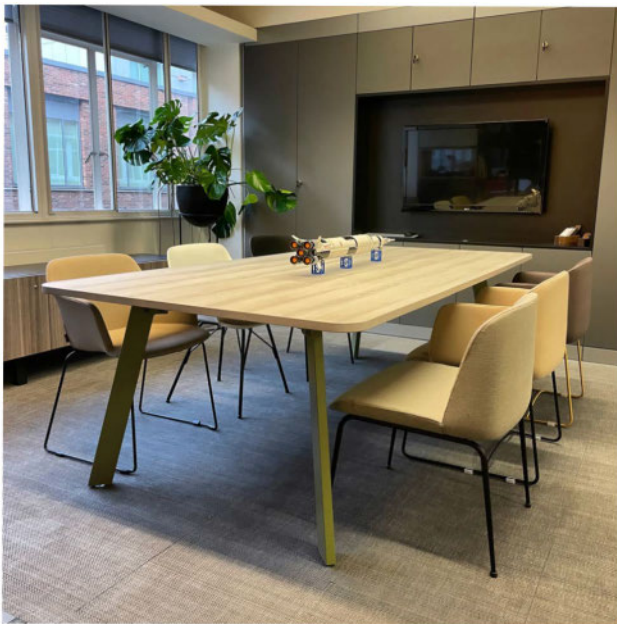
RAMO DINING

STEEL LEG OPTIONS

Ramo Steel



Ramo Lupo



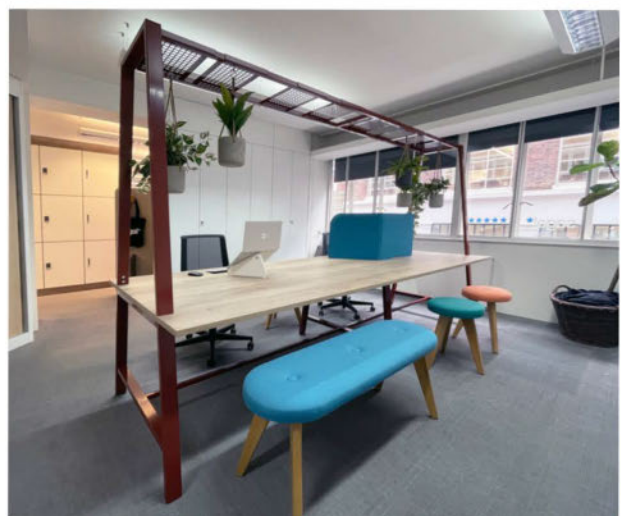
OTTO




insieme
TOGETHER

Bring a touch of ZEN and Love to your office with our Brand New OTTO range. This collection includes dining and poseur height tables with or without top frames, and bench seats that can be adapted to meet any need. Create fixed or mobile tables with lights and hanging plants to suit informal and formal collaboration areas.

Other features include monitor mounts and magnetic cable risers. Makes an ideal hybrid office solution.





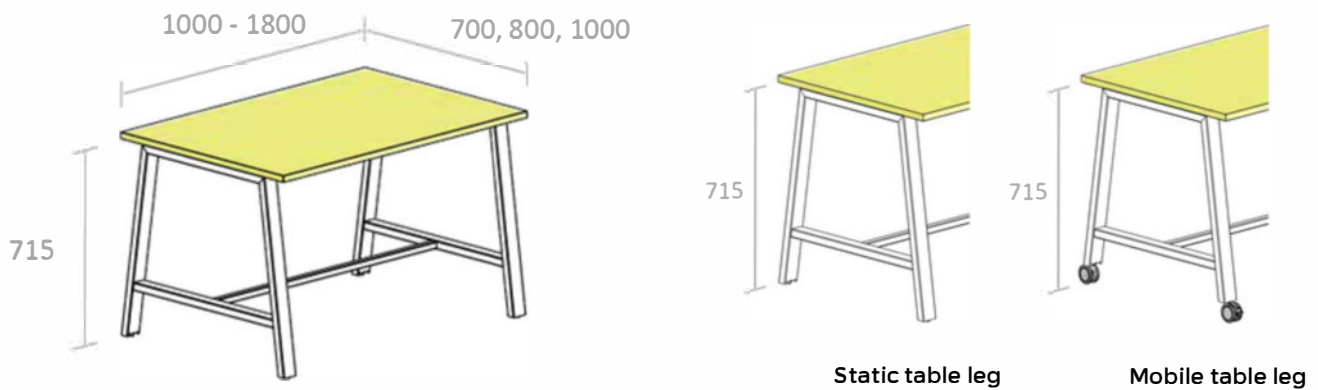


OTTO DINING

TECHNICAL

Tables without top rail.

On table configurations the width of the frame can range from 1000 up to 1800mm, and can be specified as 700, 800, or 1000mm deep with 18mm tops. (1200 deep tops achievable using 25mm thick tops)



Tables with immediate leg

Introduce an Intermediate Leg to the table configurations and the range can run from 2000 up to 3600mm at 700, 800 or 1000mm deep. (1200 deep tops achievable using 25mm thick tops) Add more Inter Legs to your build to create longer tables - the length is limitless.

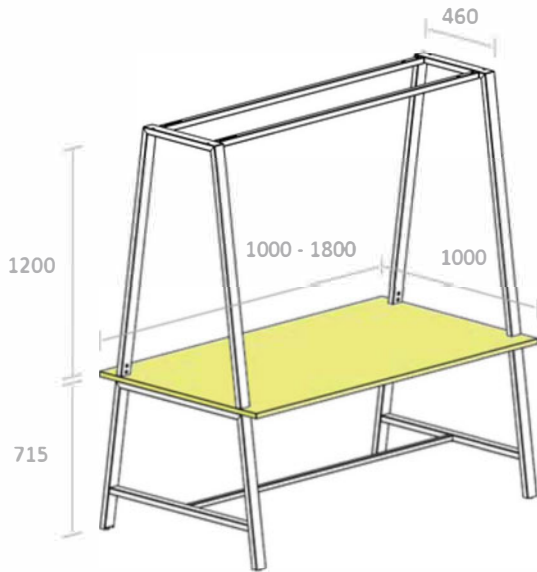


OTTO DINING

TECHNICAL

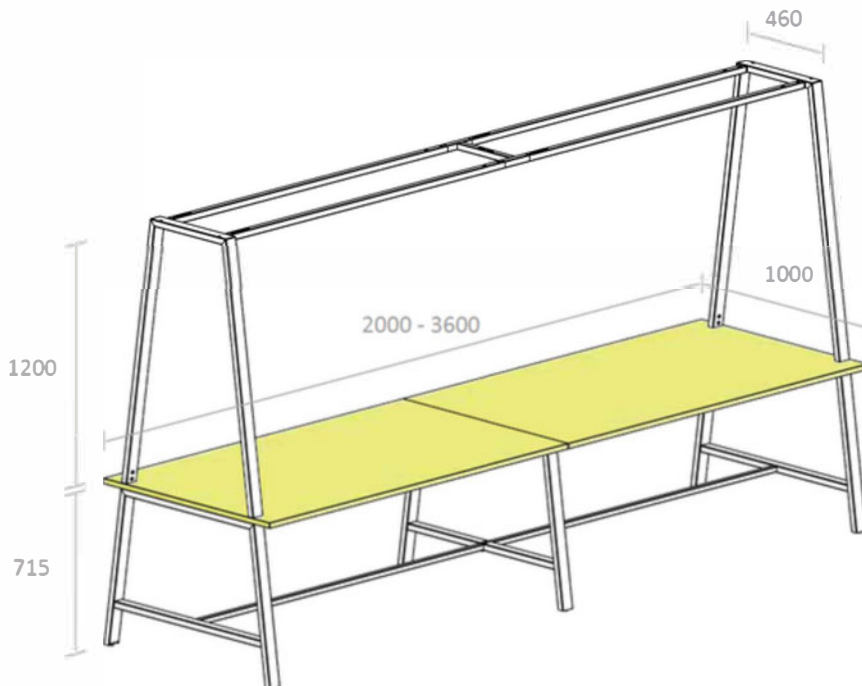
Tables with over the top rail.

On Table configurations, featuring OTT the width of the frame can range from 1000 up to 1800mm at 1000mm deep. 18mm tops. (1200 deep tops achievable using 25mm



Tables with immediate leg

Introduce an Intermediate Leg to the table configurations and the range can run from 2000 up to 3600mm at 1000mm deep. (1200 deep tops achievable using 25mm thick tops) Add more Inter Legs to your build to create longer tables - the length is limitless.

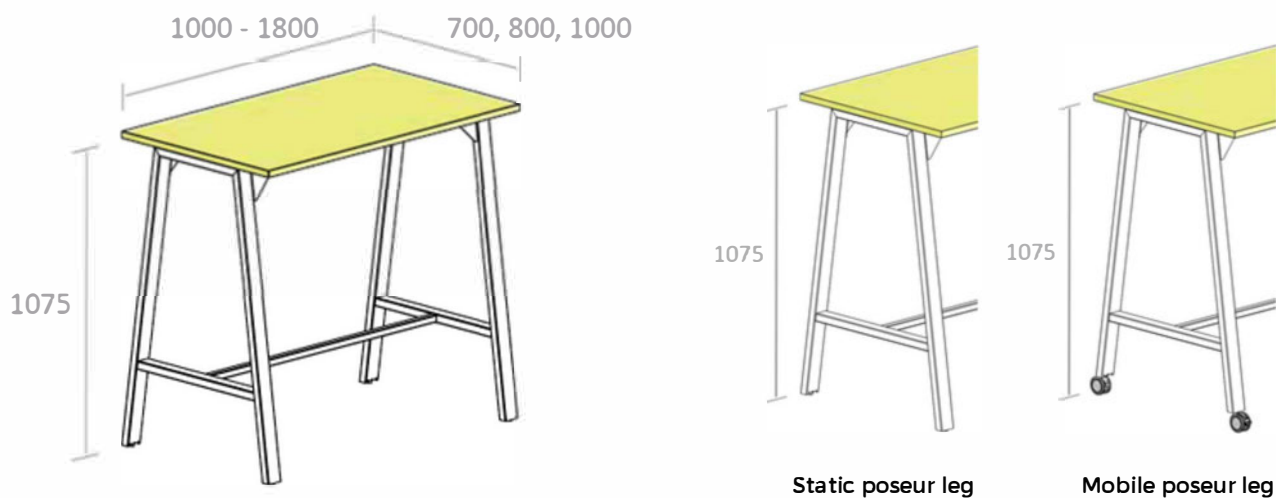


OTTO POSEUR

TECHNICAL

Poseur height without top rail

On poseur configurations, the width of the frame can range from 1000 up to 1800mm, and can be specified as 700, 800, or 1000mm deep with 18mm tops. (1200 deep tops achievable using 25mm thick tops)



Poseur height tables with immediate leg

Introduce an Intermediate Leg to the Poseur configurations and the range can run from 2000 up to 3600mm at 700, 800 or 1000mm deep.

Add more Inter Legs to your build to create longer tables - the length is limitless.



Poseur height tables
with over-the-top rail
COMING SOON



DELFINO


insieme
TOGETHER

DELFINO



Introducing the Delfino Flipper Meeting Table - the epitome of functionality and versatility for your modern workspace. Designed with innovation and precision, this remarkable table offers a host of benefits that will elevate your meeting experiences to new heights. With its groundbreaking neutrally pivoted release mechanism and integrated adjustable dampening, the Delfino table ensures flawless operation. Say goodbye to the hassle of premature opening and closing, as the tabletops are perfectly balanced, providing a smooth and controlled flipping action. You'll find it incredibly easy to operate, saving you time and effort during setup and storage.

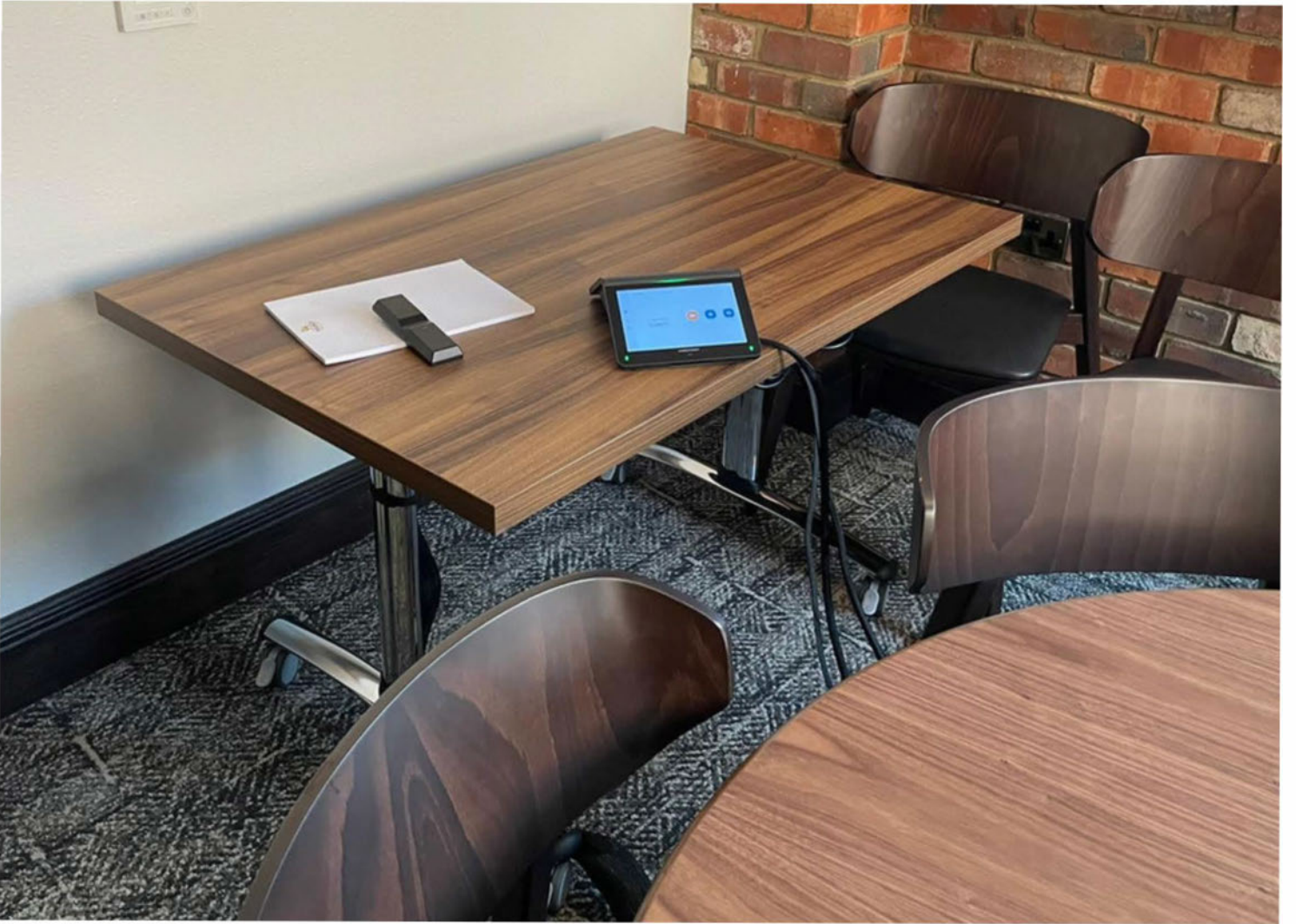
Available in sizes ranging from 600 to 800 deep and 1000 to 2000 wide, the Delfino table offers flexibility to suit your specific needs. Whether you prefer rectangles, semi-circles, or circular configurations, we have you covered. Customize your meeting space to foster creativity, collaboration, and productivity.

DELFINO



insieme
TOGETHER

DELFINO



insieme
TOGETHER

DELFINO

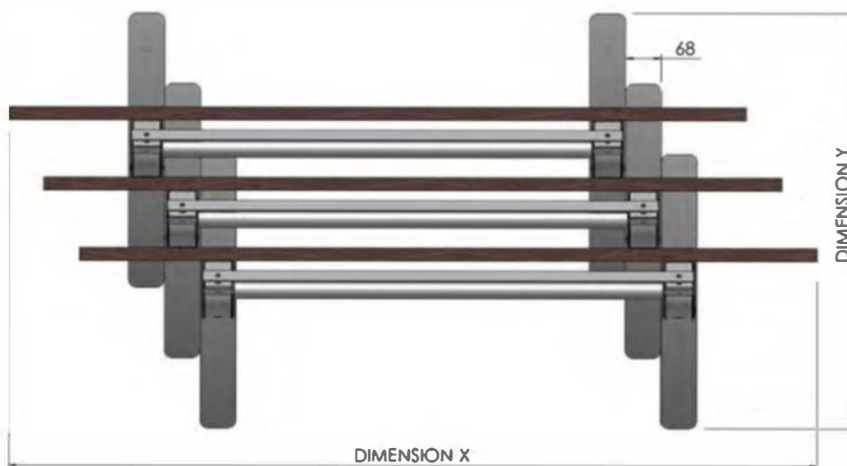
Transform any area into a flexible meeting space, training room, or conference venue with the Delfino flipper meeting table. Its adaptability makes it the ideal choice for dynamic work environments that require versatility. Accompany it with our stylish and stackable chairs for a cohesive and professional look that will impress your guests.



To check the footprint of a nest of tables - use the following formulae:

DIMENSION X =
 $((\text{QUANTITY}-1) \times 70) + \text{TOP LENGTH}$

DIMENSION Y =
 $(\text{QUANTITY} \times 135) + 386$
(all dimensions in mm)



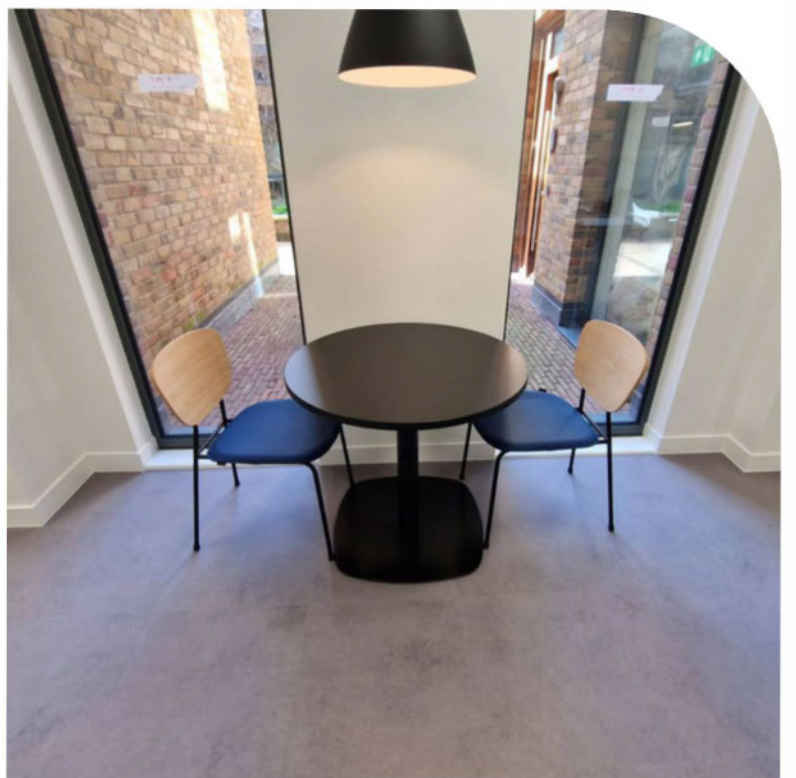
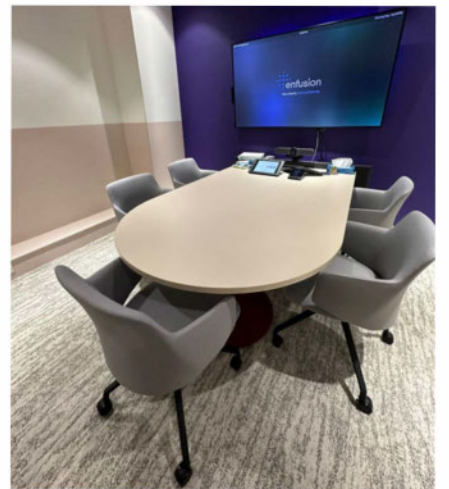
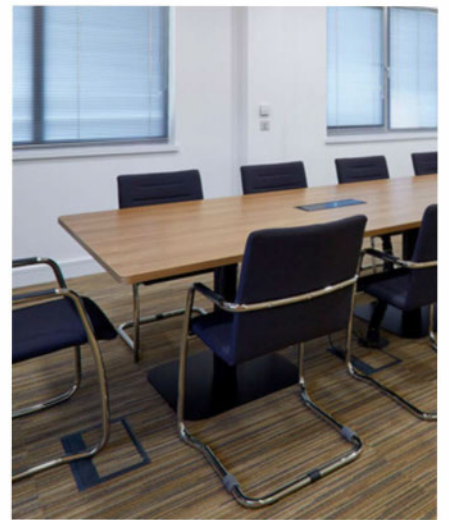
DELFINO COLUMN

Introducing the Delfino Column Table. From tea points to boardrooms, this table can be made to fit redefines how you utilize your space. Crafted with a hollow steel tubular base, the Delfino Column Table offers more than meets the eye. Conceal cables effortlessly with an 80mm grommet hole or power unit, maintaining a clutter-free workspace that enhances both aesthetics and efficiency. Base options include Circular, Square, the unique Squirrel, and Laptop base.

Equipped with a 25mm MFC top of your choice, the Delfino Column Table is a testament to craftsmanship and attention to detail. The superior quality of materials ensures durability and longevity, making it a wise investment for the long run. Whether you're strategizing in the boardroom or collaborating in an open workspace, the Delfino Column Table provides a sturdy and reliable foundation for your endeavors.



DELFINO COLUMN



FRAME FINISHES

STEEL FINISHES

MADE FROM 55% RECYCLED STEEL AND 100% RECYCLABLE.

Steel finishes for **Osimo, Lupo, Pico, Gio, Ramo, Otto, Delfino Column, Disco, Cubo and Pronto**



Note: Finishes for Gio Steel Actuators are only available in Black or White



TABLE FINISHES

MFC finishes for **Osimo, Lupo, Pico, Gio, Ramo, Otto, Delfino Column, Pronto and Tranquillo**



Graphite Grey



Pearl Grey



White



White Gladstone



Cashmere Grey



Classic Ash Tabac



Natural Davos Oak



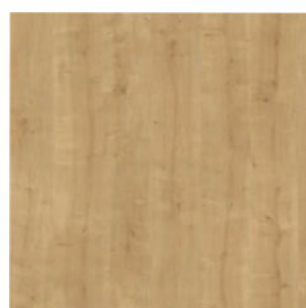
Natural Halifax Oak



Warmia Walnut



Misty Blue



Stone Oak



Natural Hamilton Oak



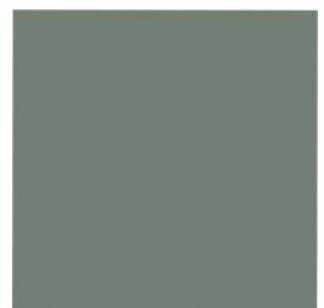
Rusty Red



Ocean Blue



Stone Green



Reed Green

Worktop Finishes 25mm tops – Fenix, ply-edge, Egger, Swiss Krono & equivalent finishes available on request, subject to MOQ's and Lead Times.



CUBO

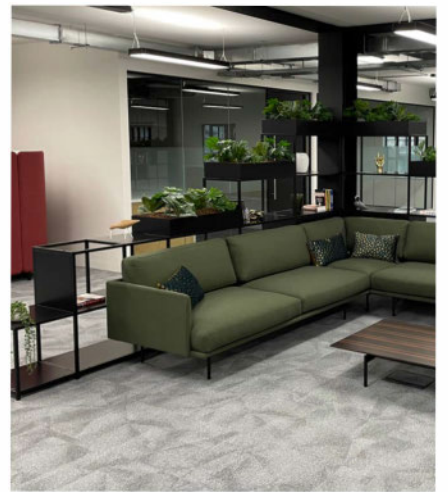



insieme
TOGETHER

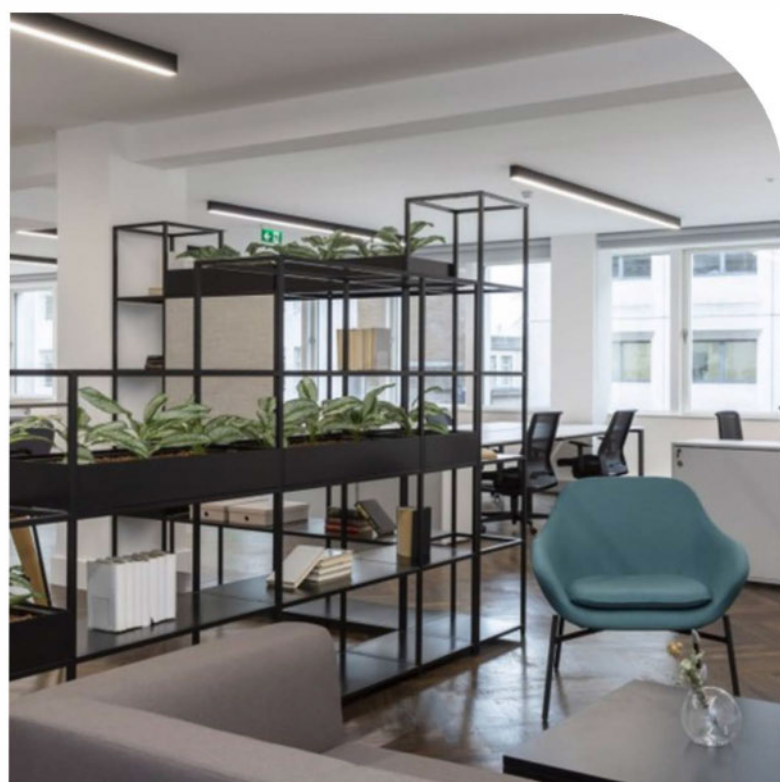
Cubo is a modular grid-based shelving/storage system that facilitates the mass personalisation of interior spaces.

The work place is evolving; the demand for adaptable, flexible spaces is greater than ever with more emphasis on creativity, collaboration and well being. Open plan offices, for all their benefits, are now required to do more and work harder. The need for furniture solutions to offer differing work zones, breakout spaces, social spaces and biophilic elements has never been so important. Coupled with less demand for physical storage space, there is great potential for a furniture system that offers all of these elements. Utilising a small number of standard components twentytwenty can be configured in an infinite number of ways giving architects, designers and specifiers the flexibility to define and organise the workplace in a highly bespoke and individualised manner, and users the opportunity to personalise their space.





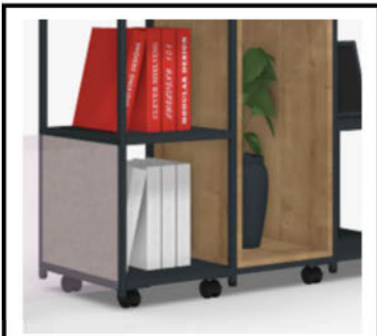






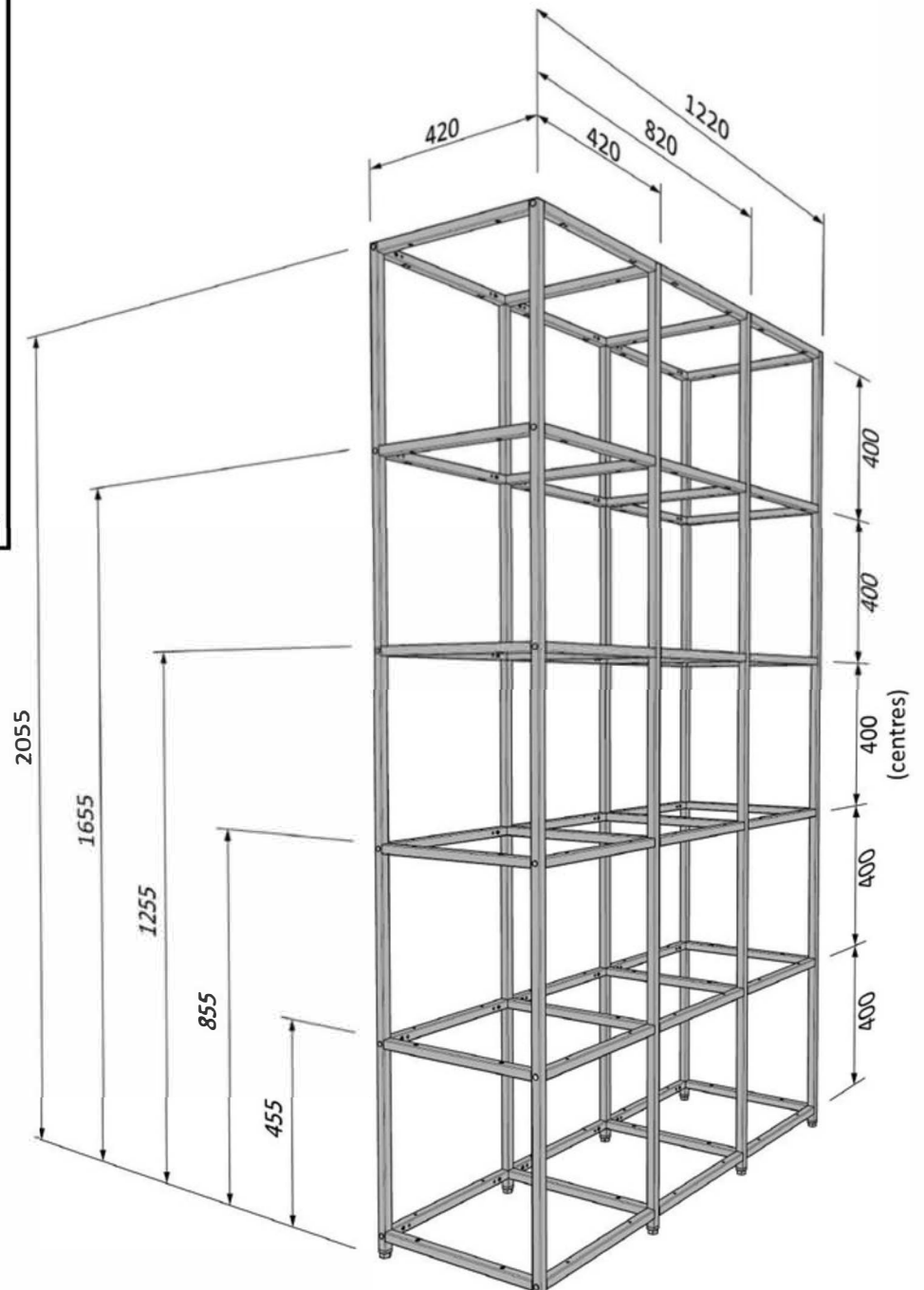
TECHNICAL

The Cubo range is based upon a 20x20mm box steel framework with fully welded end frames. Horizontal rails and horizontal end ladders are attached via a 'knock down' fixing, allowing the range to be delivered 'flat-pack' with only simple assembly required on site. The range is based on a 400x400mm grid, with the centreline of vertical and horizontal rails spaced at multiples of these centres, dependant on the configuration. The overall depth of end ladders is 420mm



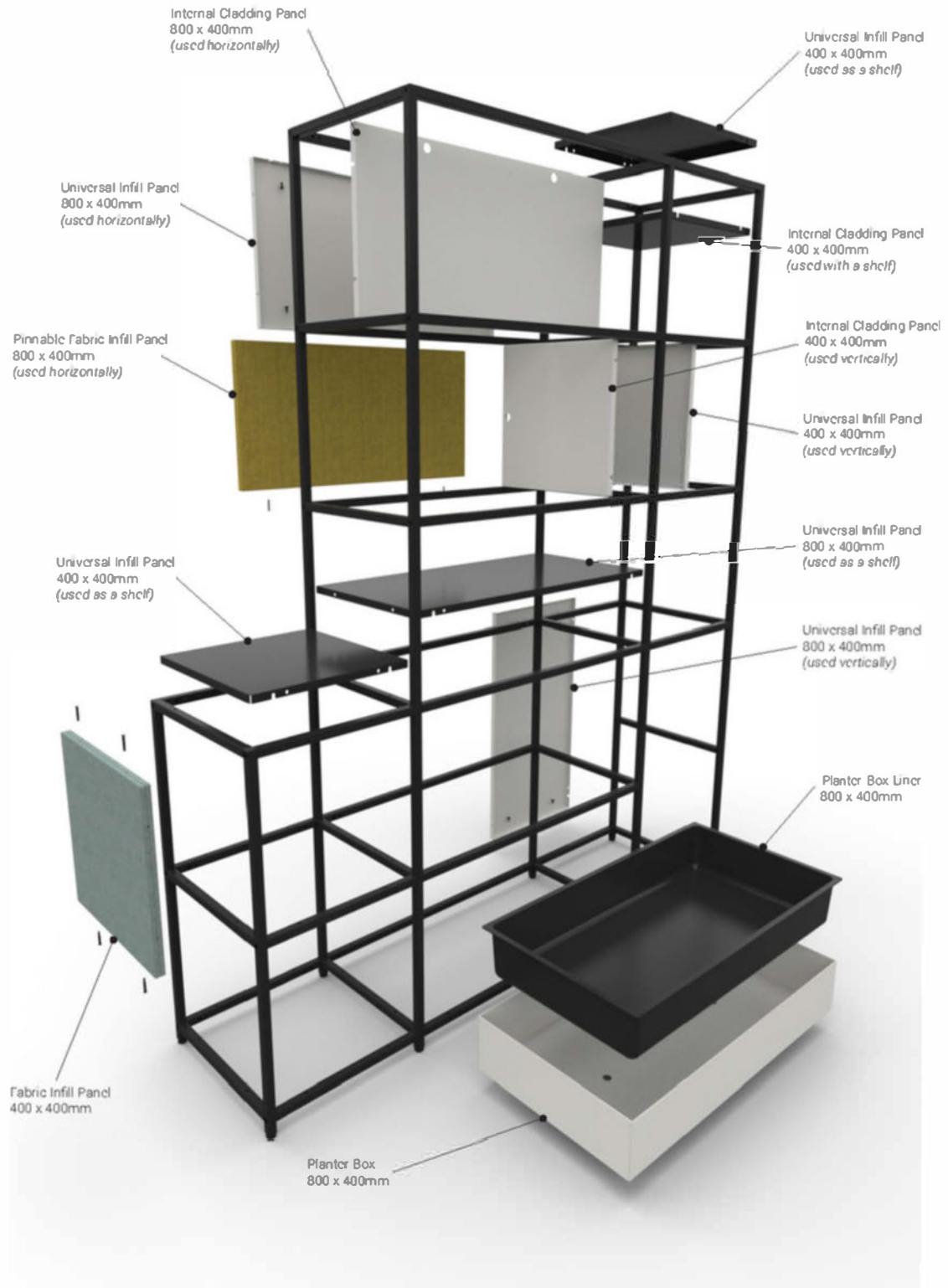
Make Cubo Mobile!

Now available on castors for ease of changing spaces to suit flexible and hybrid working styles



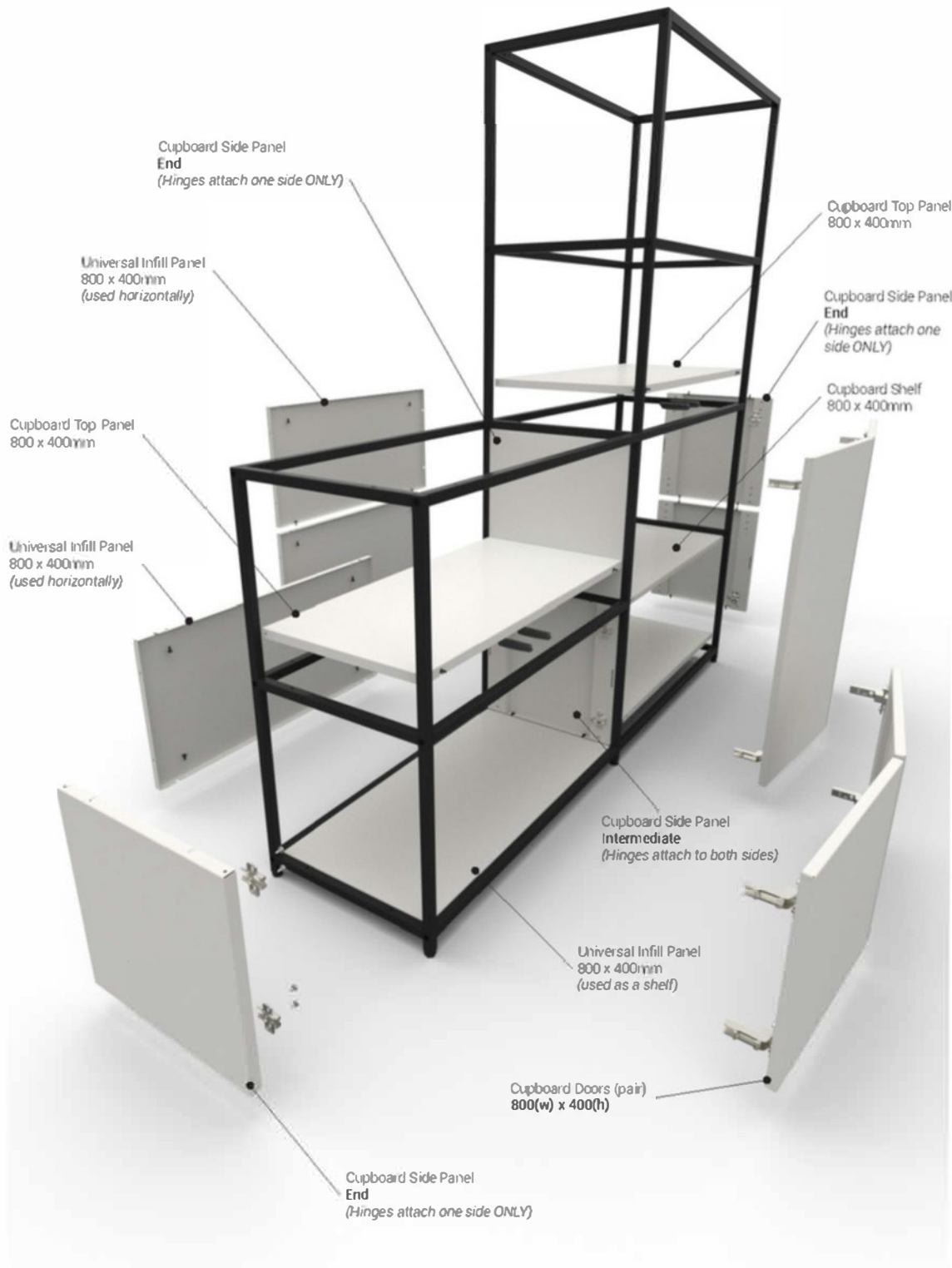
TECHNICAL

Infills & Accessories



TECHNICAL

Steel Cupboard componentry



PLANTERS

PLANTS is a mobile planting system designed to facilitate the introduction of biophilia into the workplace. Available in four pre-set designs and supplied with Hamilton Oak MFC cladding slats as standard and artificial plants (Optional); the PLANTS range features both upper and lower level waterproof planting troughs, with the lower level being height adjustable to accommodate differing height plants. PLANTS is supplied with castors for mobility as standard.



Biophilia (*noun*) *bio·phil·ia*

: a hypothetical human tendency to interact or be closely associated with other forms of life in nature: a desire or tendency to commune with nature

TECHNICAL

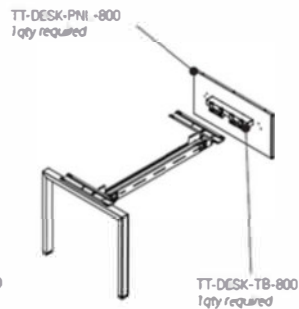
Integrated Osimo Tables



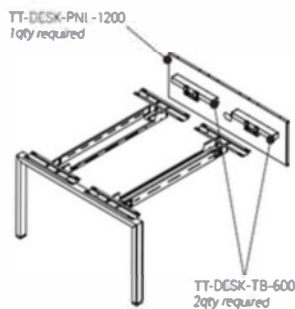
600 Deep Desk
800x400 Grid Aperture



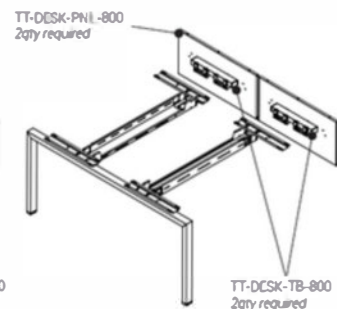
800 Deep Desk
800x400 Grid Aperture



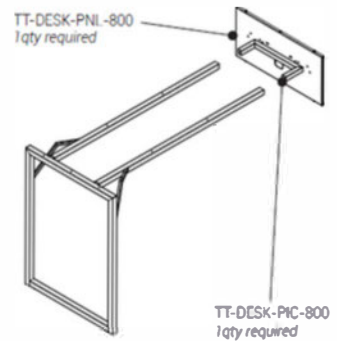
1200 Deep Desk
1200x400 Grid Aperture



1600 Deep Desk
2 qty 800x400 Grid Aperture



800 Deep Desk - 1100h
800x400 Grid Aperture

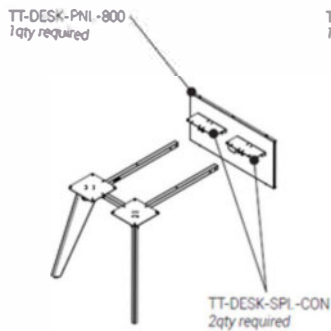


TECHNICAL

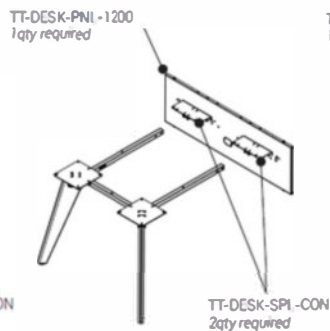
Integrated Ramo Tables



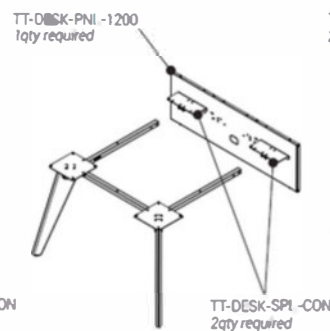
800 Deep Desk
800x400 Grid Aperture



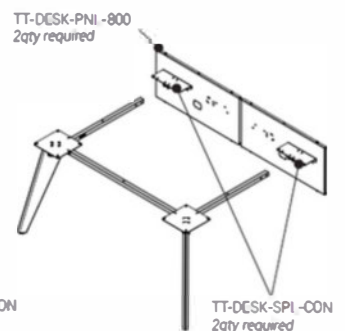
1000 Deep Desk
1200x400 Grid Aperture



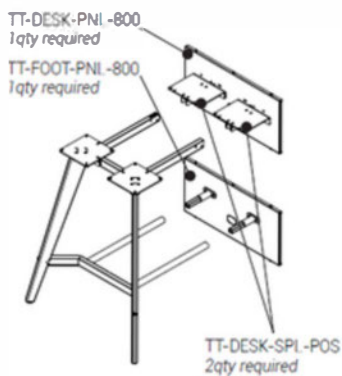
1200 Deep Desk
1200x400 Grid Aperture



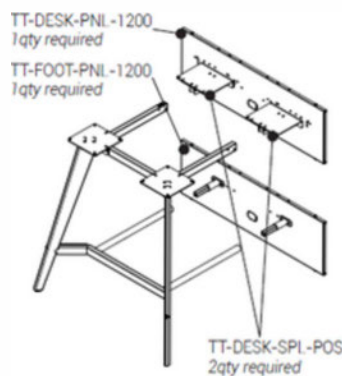
1600 Deep Desk
2qty 800x400 Grid Aperture



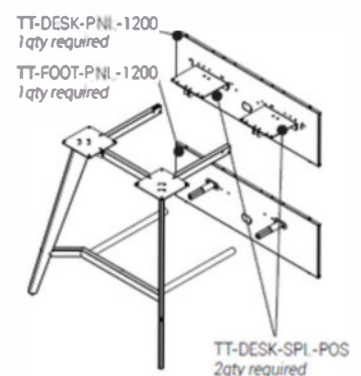
800 Deep Desk
2x 800x400 Grid Aperture



1000 Deep Desk
2x 1200x400 Grid Aperture



1200 Deep Desk
2x 1200x400 Grid Aperture



DISCO




insieme
TOGETHER

DISCO

Introducing the Disco Wall - the ultimate solution for flexible office space! This mobile wall/screen is designed to meet the unique needs of modern workplaces, offering endless customization options that allow you to create the perfect workspace for your team.

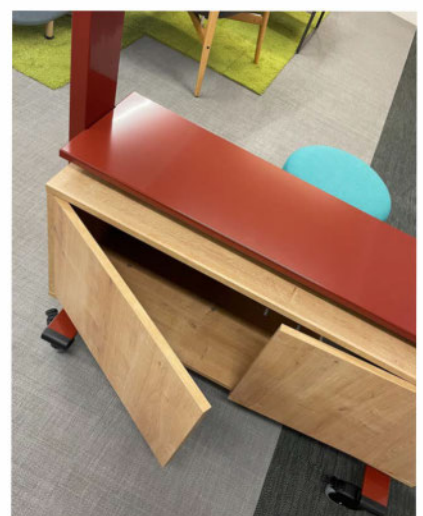
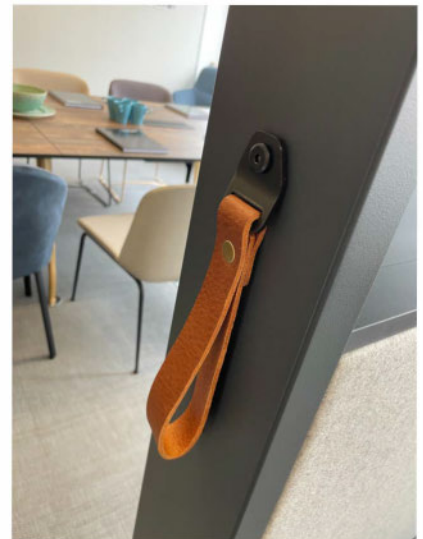
One of the key benefits of the Disco Wall is its flexibility. Whether you need to collaborate with colleagues, engage with clients, or simply meet to discuss ideas, this versatile wall has got you covered. You can create a private meeting area, a collaborative workspace, or even a breakout space for your team to recharge and unwind.

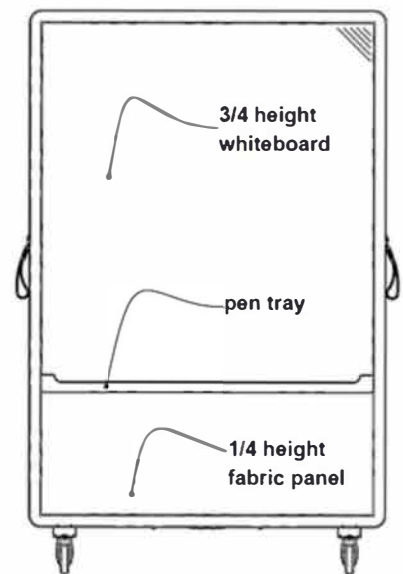
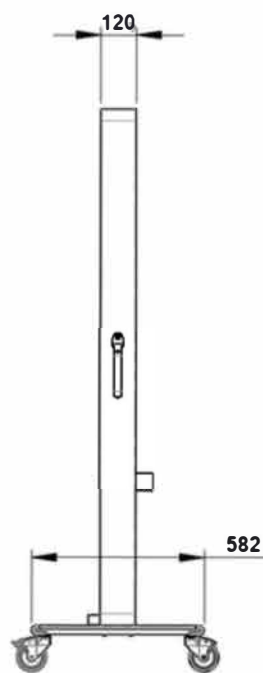
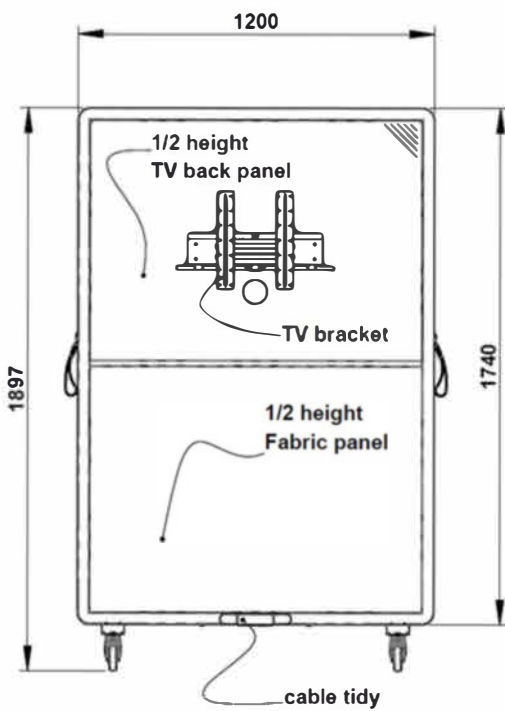
With its sleek and modern design, the Disco Wall can be customized to include a range of elements, including shelves, planters, storage, whiteboards, coats rail, and media panels.



DISCO

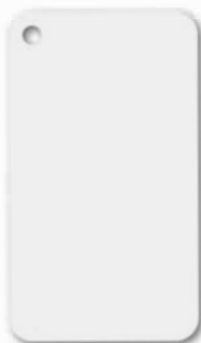
For the media panel feature of the Disco Wall, the power lead neatly wraps up at the bottom for easy mobility. This means you can move it around your office without worrying about tripping over cords when utilizing only the whiteboard side.



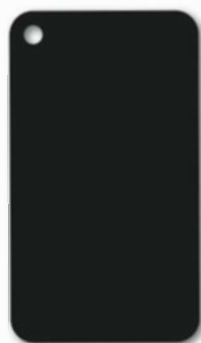


CUBO & DISCO

STEEL FINISHES



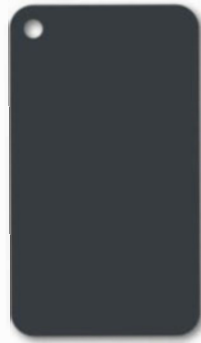
TRAFFIC WHITE
TEXTURED SATIN (30% GLOSS)
RAL9016



TRAFFIC BLACK
SMOOTH SATIN (30% GLOSS)
RAL9017



OXIDE RED
TEXTURED SATIN (30% GLOSS)
RAL3009



ANTHRACITE GREY
TEXTURED SATIN (30% GLOSS)
RAL7016



SILVER GREY
SMOOTH SATIN (30% GLOSS)
RAL9006



CLEAR COAT
SMOOTH SATIN (30% GLOSS)
CLEAR



GREEN BLUE
SMOOTH MATT
RAL5001



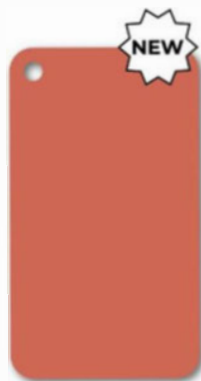
REED GREEN
SMOOTH MATT
RAL6013



PALE GREEN
SMOOTH MATT
RAL6021



HONEY YELLOW
SMOOTH MATT
RAL1005



SALMON PINK
SMOOTH MATT
RAL3022



STONE GREY
SMOOTH MATT
RAL7030

MFC FINISHES



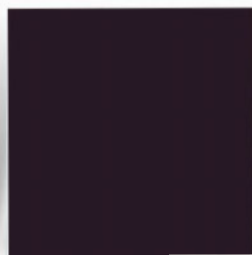
Sorano Oak



Hamilton Oak



Graphite



Black



White

ACRYLIC PANELS (CUBO only)



Twin Wall
Polycarbonate



COZY



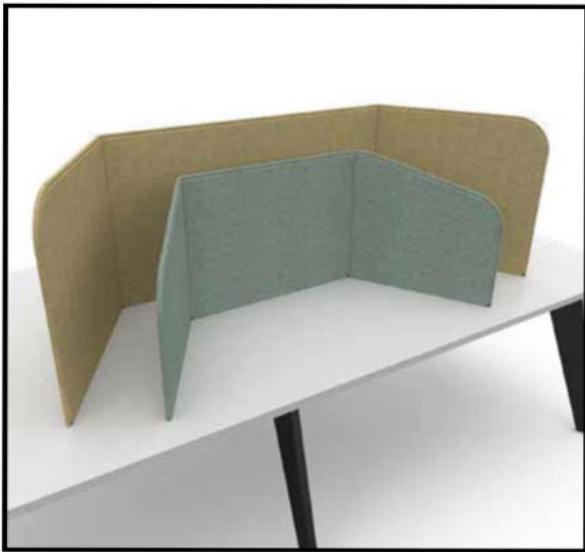
Cozy is a contemporary range of ultra-lightweight, fabric-covered, desk-up screens. The elegant edge profile and bold stitching detail around the hem make this screen a high-end product with a premium quality feel.

Choose between fold, shroud & and corner options depending on your needs, create private spaces & or simply shroud your desk in the office. Cozy is an attractive & and cost-effective solution to the ever-changing work environment.

A combination of keen pricing, superior build quality, and considered design ensures that COSY Lite screens represent excellent value for money, whilst remaining appropriate for use within the widest range of office interiors.

Cozy has a range of brackets designed to integrate and compliment many of our desk frames





FOLD

Pick and place lightweight screen for nomadic working

- Bracket free
- Plain or Ski shape wings
- Cut away for cable access
- Eco value range available



SHROUD

Shroud your desk for complete privacy

- 610h fly-past or sit-on desk
- 750h fly-past modesty panel option
- Clamp onto desk top - fly past or sit-on

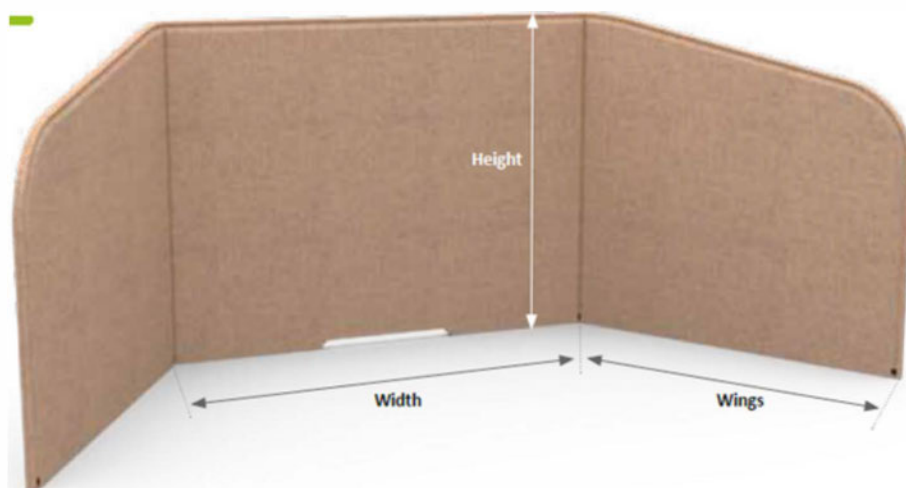


CORNER

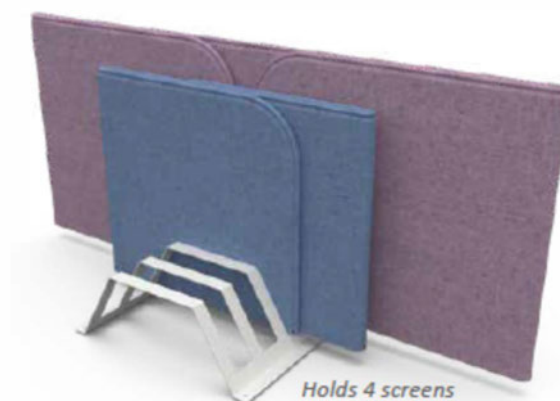
Convert any desk into a semi-private workstation

- 610h fly-past or sit-on desk
- 750h fly-past modesty panel option
- Clamp onto desk top - fly-past or sit-on

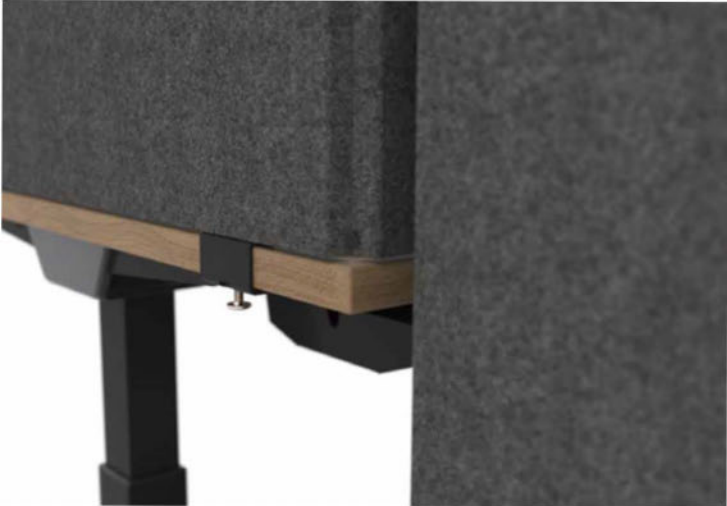
FOLD



Size					Product Code
Width		Height		Wings	
0600	x	455	x	490	COSY-FOLD-SKI-ECO
0600	x	525	x	590	COSY-FOLD-SKI-0655
0800	x	525	x	590	COSY-FOLD-SKI-0855
1000	x	525	x	590	COSY-FOLD-SKI-1055
1200	x	525	x	590	COSY-FOLD-SKI-1255







FABRIC FINISHES

Panel finishes for **Cozy, Aero, Disco** and **Cubo**



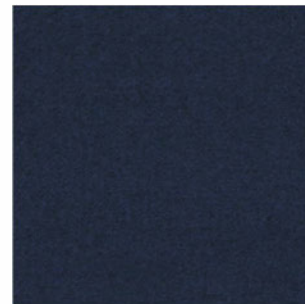
Retreat



Harmony



Wish



Mood



Hope



Buddha



Tender



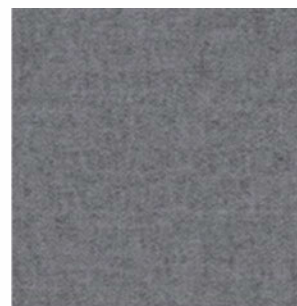
Daydream



Angel



Balance



True



Devoted



Cuddle



Dainty



Haven



Solace

Blazer Lite foam-backed fabric suitable for Cozy, Aero, Disco and Cubo fabric panels. Non-stock foam-backed fabric are available upon request, subject to MOQ's and Lead Times.

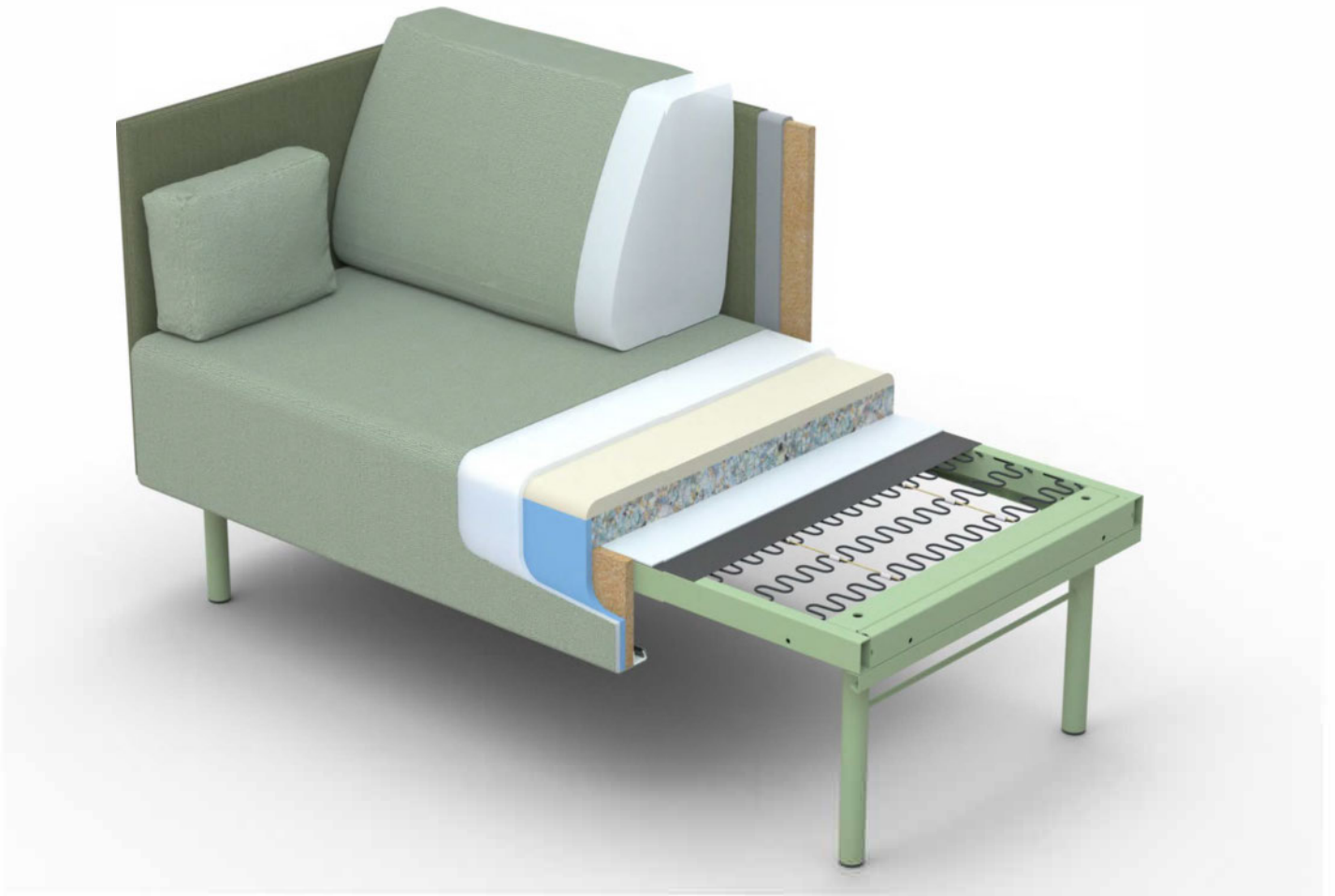
Discover all colours from the Blazer Lite range here <https://www.camirafabrics.com>



PRONTO



PRONTO



insieme
TOGETHER

PRONTO



Tranquillo is a modular, panel-based furniture system. The range consists of meeting booths that allow you to create informal meeting areas for collaboration or semi-private workspaces, ideal for when you need to focus in the office or make a video call without distractions.



PRONTO



insieme
TOGETHER





2 Person Booth

High back, 2 person booth with integrated sofas and desktop. Shown with two-tone panels, mono-tone sofas and with oak legs.

Dimensions: 2100(w) x 1100(d) x 1440(h)



4 Person Booth

High back, 4 person booth with integrated sofas and desktop. Shown with two tone panels and sofas and with black steel legs.

Dimensions: 2100(w) x 1600(d) x 1440(h)



6 Person Booth

High back, 6 person booth with integrated sofas and desktop. Shown with two-tone panels and sofas and with oak legs.

Dimensions: 2100(w) x 2200(d) x 1440(h)



2 Person Sofa

High back, 2 person sofa. Shown with two-tone panels and sofas and with black steel legs.

Dimensions: 1600(w) x 700(d) x 1440(h)



1 Person Sofa

High back, 1 person sofa. Shown with two-tone panels, monotone. sofas, with black steel legs and integral power module.

Dimensions: 1100(w) x 700(d) x 1440(h)







PRONTO

Discover all colours from the below ranges here <https://www.camirafabrics.com>

Camira	Rivet	Fabric Group R1	
Camira	Era	Fabric Group R1	

Camira	Blazer	Fabric Group R3	
Camira	Main Line Flax	Fabric Group R3	

Camira	Aspect	Fabric Group R2	
Camira	Urban	Fabric Group R2	
Camira	Main Line Plus	Fabric Group R2	
Camira	Quest	Fabric Group R2	

Camira	Synergy	Fabric Group R3	
Camira	Sumi	Fabric Group R3	
Camira	Oceanic	Fabric Group R3	
Camira	Main Line Twist	Fabric Group R3	
Camira	Vita	Fabric Group R3	

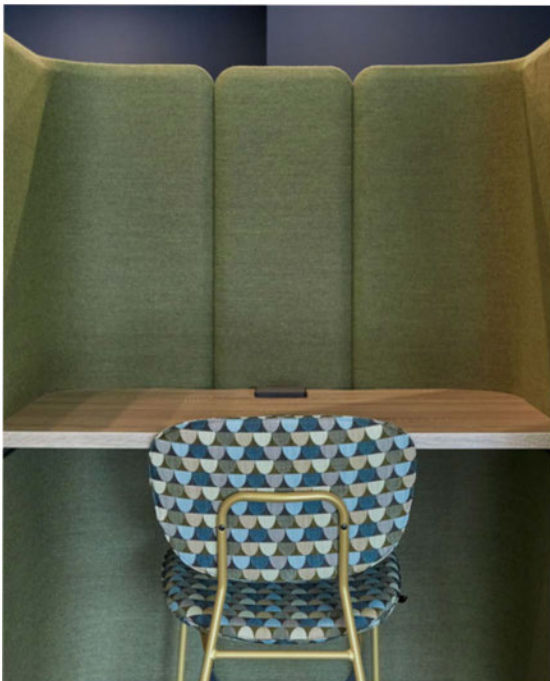
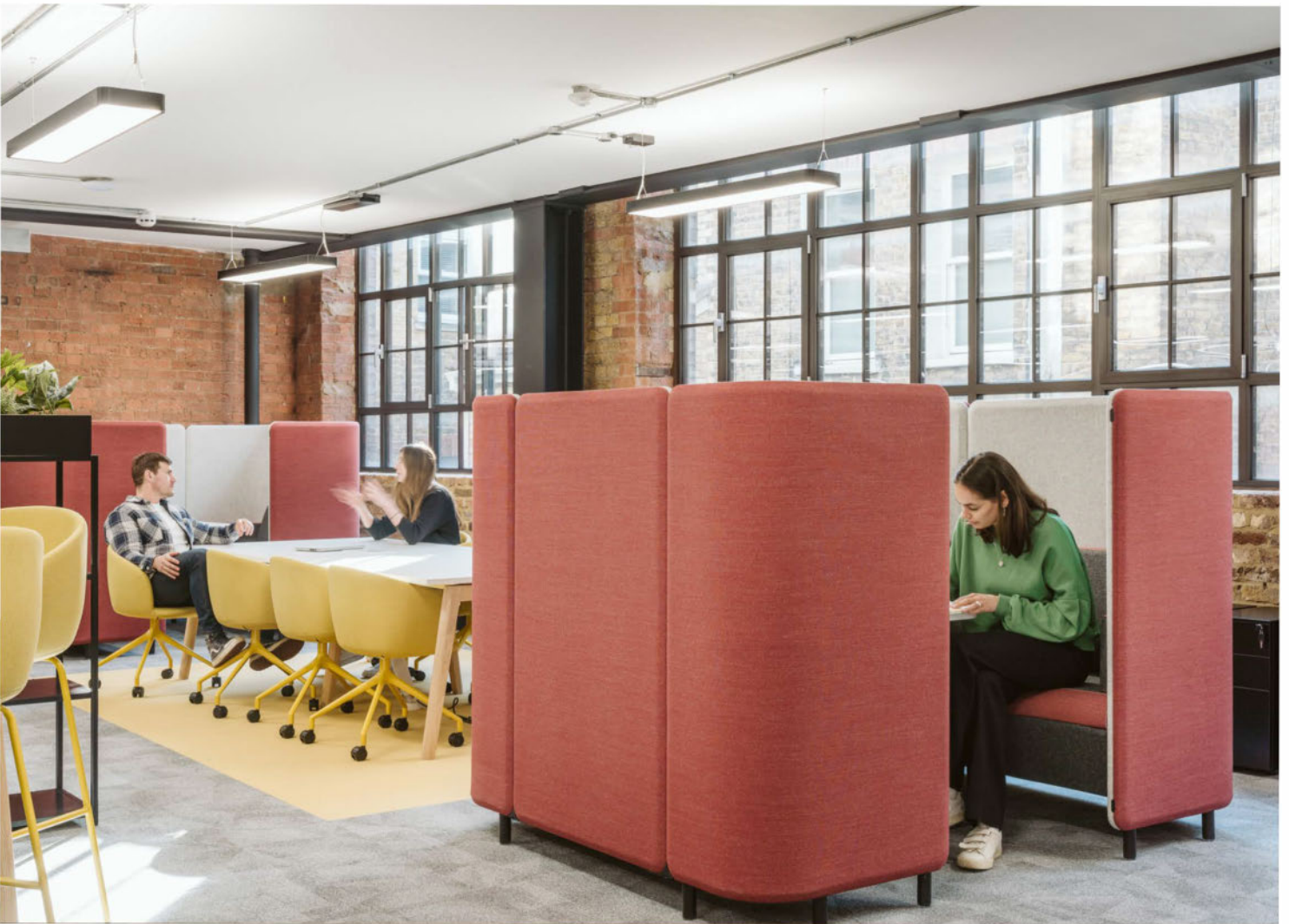


TRANQUILLO




insieme
TOGETHER

TRANQUILLO



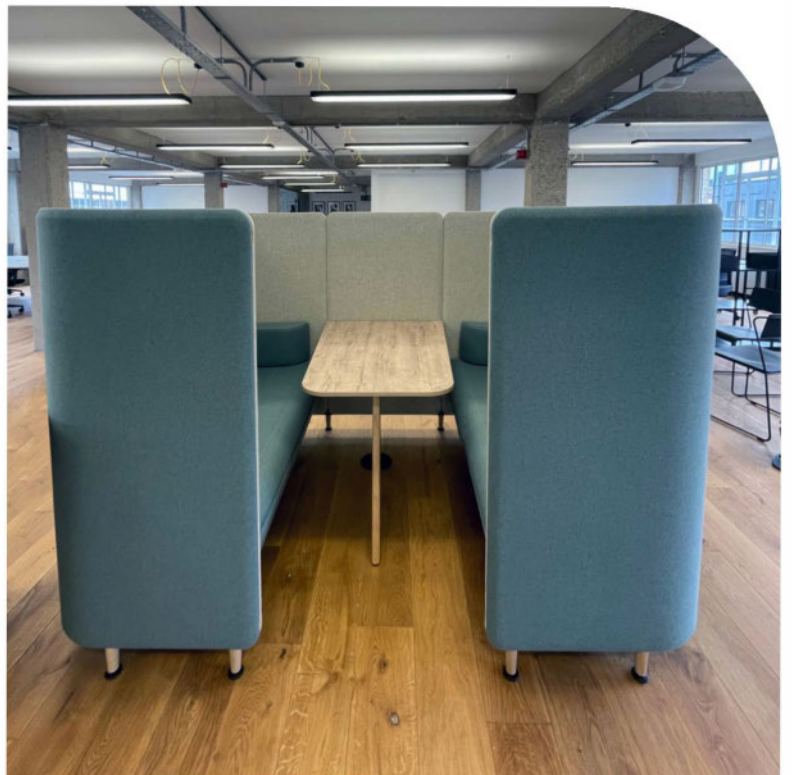
insieme
TOGETHER

TRANQUILLO

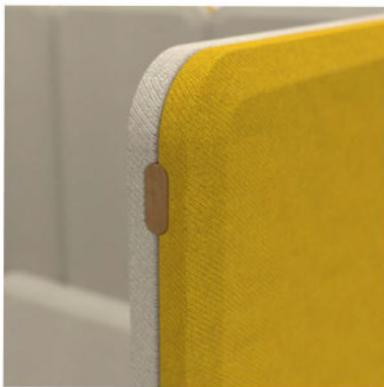


insieme
TOGETHER

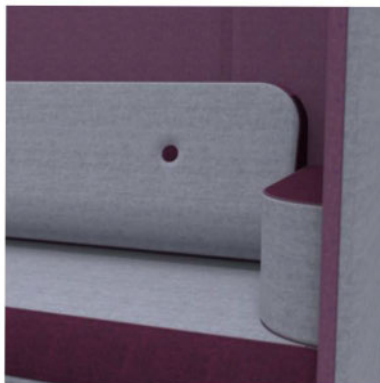
TRANQUILLO



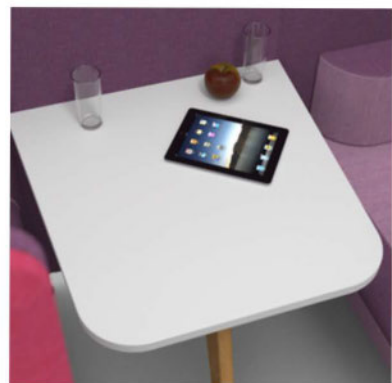
TRANQUILLO



Two-tone panel upholstery



Two-tone sofa upholstery and button



Integral desktop



Round steel leg



Tapered oak leg



Media panel screen bracket



TRANQUILLO

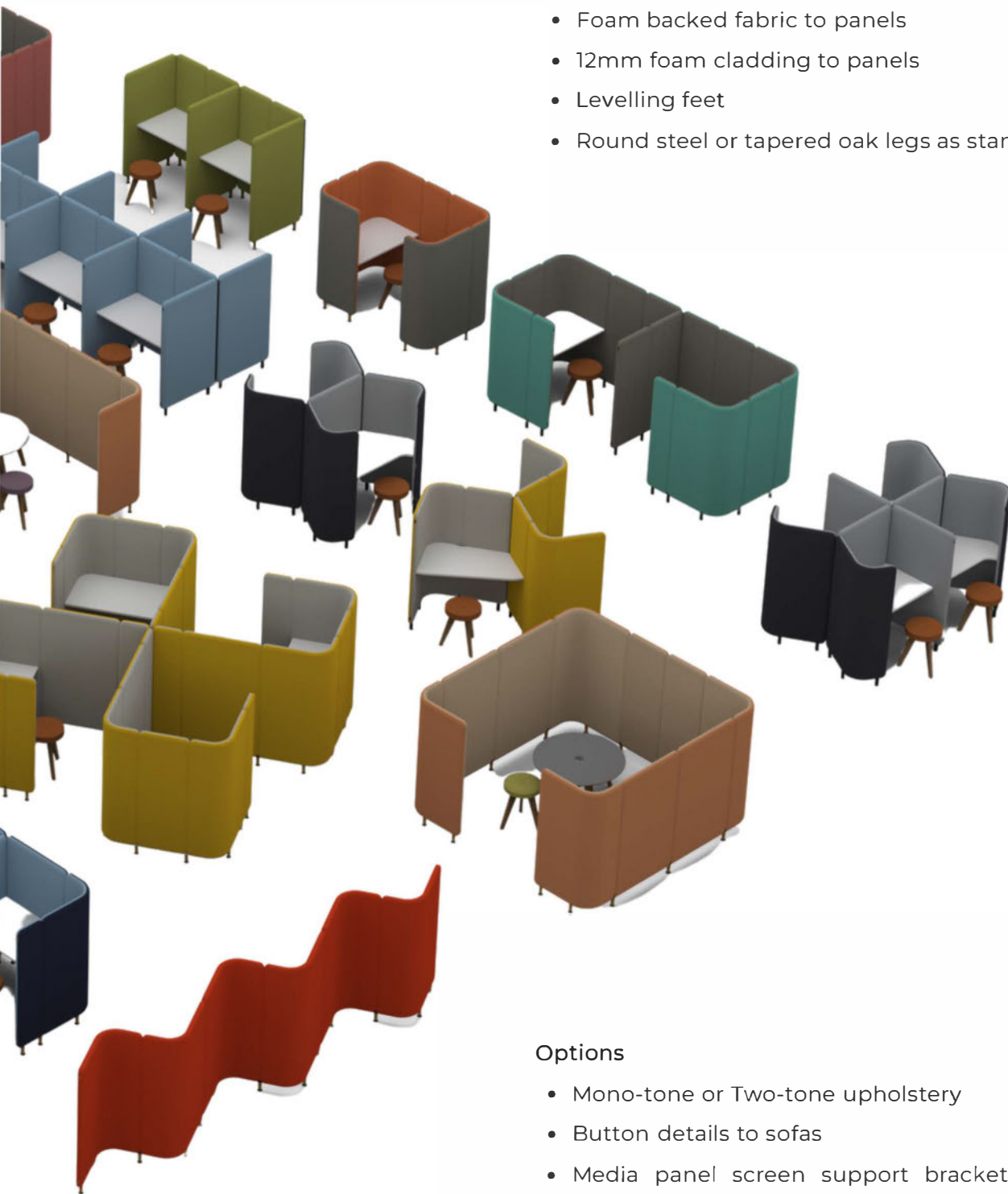
Tranquillo is a modular, panel-based furniture system. The range consists of meeting booths that allow you to create informal meeting areas for collaboration or semi-private workspaces, ideal for when you need to focus in the office or make a video call without distractions.



TRANQUILLO

Standard features:

- Steel and Aluminium structural frame
- Foam backed fabric to panels
- 12mm foam cladding to panels
- Levelling feet
- Round steel or tapered oak legs as standard



Options

- Mono-tone or Two-tone upholstery
- Button details to sofas
- Media panel screen support bracket (for media panels only)
- Integral power module compatibility to plinth panels



TRANQUILLO



2 Person Booth

High back, 2 person booth with integrated sofas and desktop. Shown with two-tone panels, mono-tone sofas and with oak legs.

Dimensions: 2100(w) x 1100(d) x 1440(h)



4 Person Booth

High back, 4 person booth with integrated sofas and desktop. Shown with two tone panels and sofas and with black steel legs.

Dimensions: 2100(w) x 1600(d) x 1440(h)



6 Person Booth

High back, 6 person booth with integrated sofas and desktop. Shown with two-tone panels and sofas and with oak legs.

Dimensions: 2100(w) x 2200(d) x 1440(h)



TRANQUILLO



1 Person Sofa

High back, 1 person sofa. Shown with two-tone panels, monotone. sofas, with black steel legs and integral power module.

Dimensions: 1100(w) x 700(d) x 1440(h)



2 Person Sofa

High back, 2 person sofa. Shown with two-tone panels and sofas and with black steel legs.

Dimensions: 1600(w) x 700(d) x 1440(h)



3 Person Sofa

High back, 3 person sofa. Shown with two-tone panels, mono-tone sofas, with oak legs and integral power modules.

Dimensions: 2200(w) x 700(d) x 1440(h)



TRANQUILLO

Discover all colours from the below ranges here <https://www.camirafabrics.com>

Camira	Blazer Lite	PANEL Fabric Group R1	
--------	-------------	--------------------------	---

Camira	Aspect	SOFA Fabric Group R2	
Camira	Patina	PANEL & SOFA Fabric Group R2	

Camira	Blazer	PANEL & SOFA Fabric Group R3	
Camira	Main Line Flax	PANEL & SOFA Fabric Group R3	
Camira	Synergy	PANEL & SOFA Fabric Group R3	



camira



ACT25
Aspect | Otago



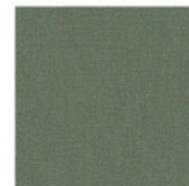
CUZ4L
Silk | Pamir



camira



CUZ2Q
Blazer | Dartmouth



MLF52
Main Line Flax | Greenwich



LDS23
Synergy | Bracket



OSIM 
LUP 
PIC 
GIO
AERO
RAM 
OTT 
DELFINO
DISC 
CUB 
COZY
PRONT 
TRANQUILLO 


insieme
TOGETHER WE CREATE

sagal  creating
inspirational
spaces

SAGAL GROUP,
1ST FLOOR, 77 BASTWICK STREET, LONDON, EC1V 3PZ

T. 020 7253 7390
E. INFO@SAGALGROUP.CO.UK

@SAGALGROUP
LOVEWHEREYOUWORK