

OTTO




insieme
TOGETHER

Bring a touch of ZEN and Love to your office with our Brand New OTTO range. This collection includes dining and poseur height tables with or without top frames, and bench seats that can be adapted to meet any need. Create fixed or mobile tables with lights and hanging plants to suit informal and formal collaboration areas.

Other features include monitor mounts and magnetic cable risers. Makes an ideal hybrid office solution.



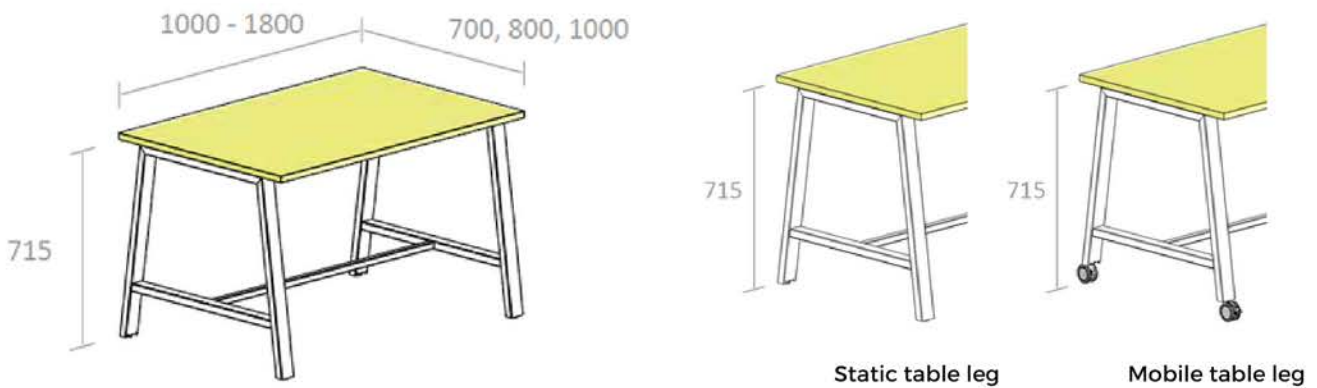




TECHNICAL

Tables without top rail.

On table configurations the width of the frame can range from 1000 up to 1800mm, and can be specified as 700, 800, or 1000mm deep with 18mm tops. (1200 deep tops achievable using 25mm thick tops)



Tables with immediate leg

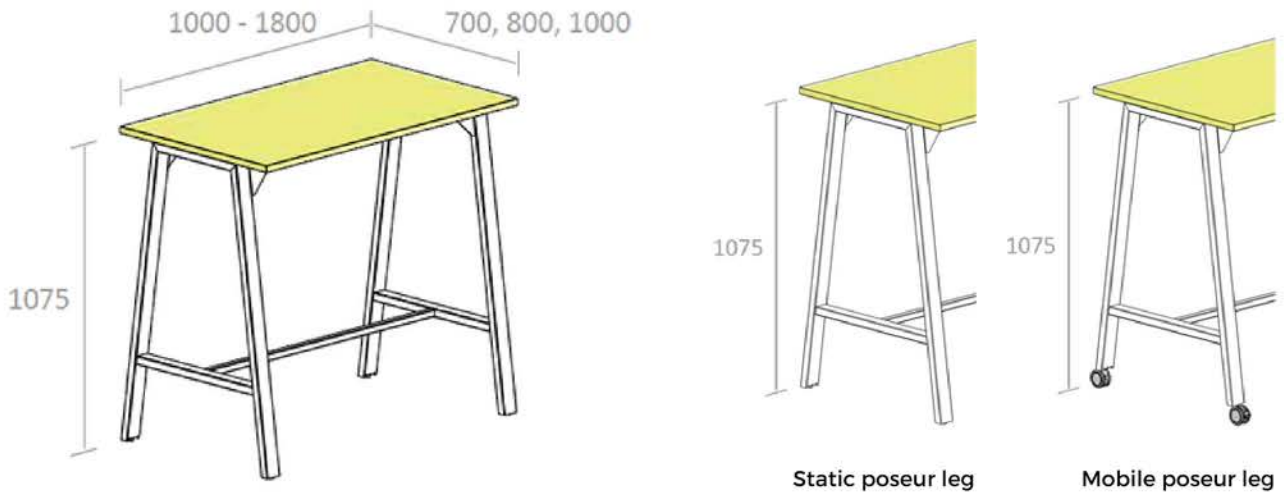
Introduce an Intermediate Leg to the table configurations and the range can run from 2000 up to 3600mm at 700, 800 or 1000mm deep. (1200 deep tops achievable using 25mm thick tops) Add more Inter Legs to your build to create longer tables - the length is limitless.



TECHNICAL

Poseur height without top rail

On poseur configurations, the width of the frame can range from 1000 up to 1800mm, and can be specified as 700, 800, or 1000mm deep with 18mm tops. (1200 deep tops achievable using 25mm thick tops)



Poseur height tables with immediate leg

Introduce an Intermediate Leg to the Poseur configurations and the range can run from 2000 up to 3600mm at 700, 800 or 1000mm deep.

Add more Inter Legs to your build to create longer tables - the length is limitless.

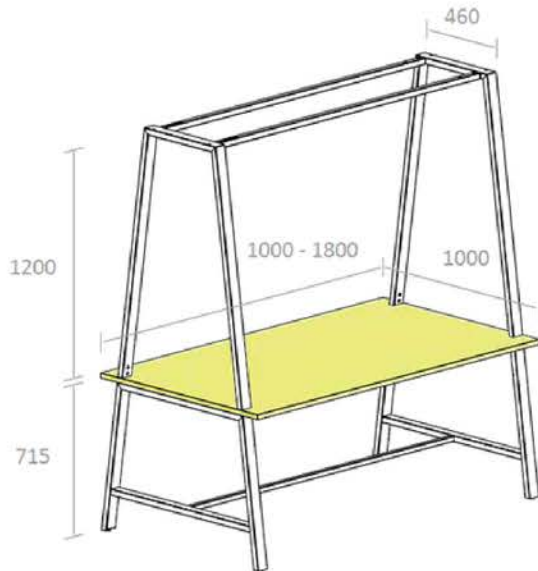


Poseur height tables
with over-the-top rail
COMING SOON

TECHNICAL

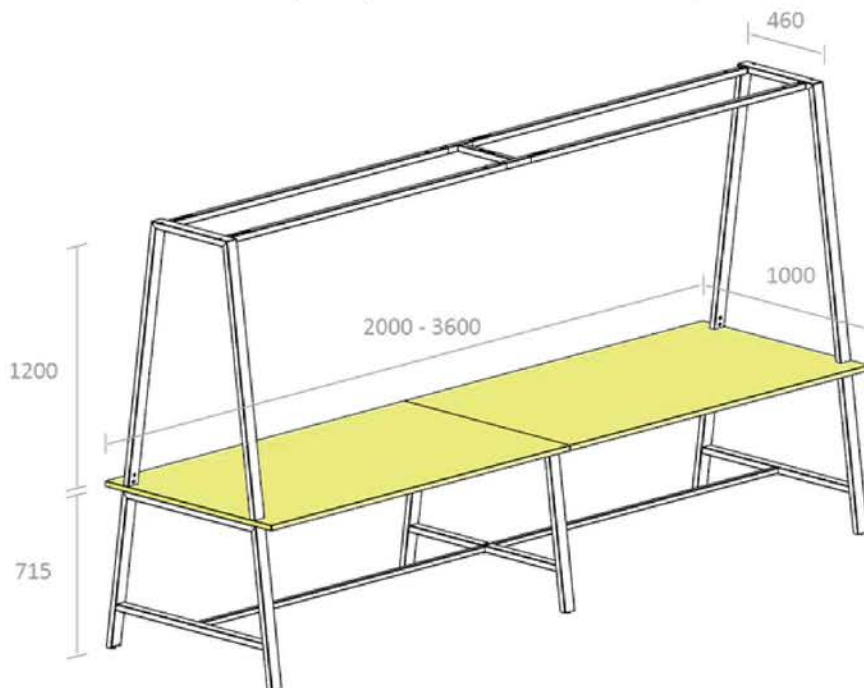
Tables with over the top rail.

On Table configurations, featuring OTT the width of the frame can range from 1000 up to 1800mm at 1000mm deep. 18mm tops. (1200 deep tops achievable using 25mm



Tables with immediate leg

Introduce an Intermediate Leg to the table configurations and the range can run from 2000 up to 3600mm at 1000mm deep. (1200 deep tops achievable using 25mm thick tops) Add more Inter Legs to your build to create longer tables - the length is limitless.



STEEL FINISHES



TRAFFIC WHITE
TEXTURED SATIN (30% GLOSS)
RAL9016



TRAFFIC BLACK
SMOOTH SATIN (30% GLOSS)
RAL9017



OXIDE RED
TEXTURED SATIN (30% GLOSS)
RAL3009



ANTHRACITE GREY
TEXTURED SATIN (30% GLOSS)
RAL7016



SILVER GREY
SMOOTH SATIN (30% GLOSS)
RAL9006



CLEAR COAT
SMOOTH SATIN (30% GLOSS)
CLEAR



GREEN BLUE
SMOOTH MATT
RAL5001



REED GREEN
SMOOTH MATT
RAL6013



PALE GREEN
SMOOTH MATT
RAL6021



HONEY YELLOW
SMOOTH MATT
RAL1005



SALMON PINK
SMOOTH MATT
RAL3022



STONE GREY
SMOOTH MATT
RAL7030

MFC FINISHES



Worktop Finishes 25mm tops - Popular colour choices include: Stone Oak, White, Halifax Oak Graphite Grey or White (Fenix, ply-edge, Egger, Swiss Krono & equivalent finishes available on request)

OTTO
RAMO
DELFINO
GIO
OSIMO
DISCO
AERO
MIO
TRANQUILLO
RADUNO
TAVOLO
CUBO


insieme
TOGETHER

sagal  creating
inspirational
spaces

SAGAL GROUP,
1ST FLOOR, 77 BASTWICK STREET, LONDON, EC1V 3PZ

T. 020 7253 7390
E. INFO@SAGALGROUP.CO.UK

@SAGALGROUP
LOVEWHEREYOUWORK