

CUBO

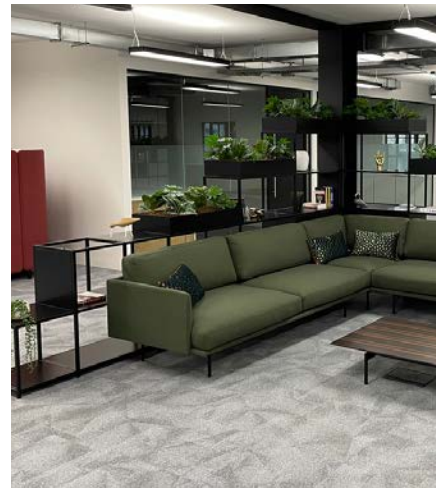



insieme
TOGETHER

Cubo is a modular grid-based shelving/storage system that facilitates the mass personalisation of interior spaces.

The work place is evolving; the demand for adaptable, flexible spaces is greater than ever with more emphasis on creativity, collaboration and well being. Open plan offices, for all their benefits, are now required to do more and work harder. The need for furniture solutions to offer differing work zones, breakout spaces, social spaces and biophilic elements has never been so important. Coupled with less demand for physical storage space, there is great potential for a furniture system that offers all of these elements. Utilising a small number of standard components twentytwenty can be configured in an infinite number of ways giving architects, designers and specifiers the flexibility to define and organise the workplace in a highly bespoke and individualised manner, and users the opportunity to personalise their space.





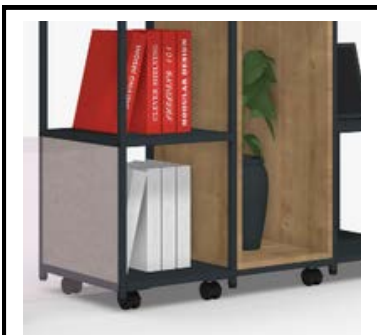






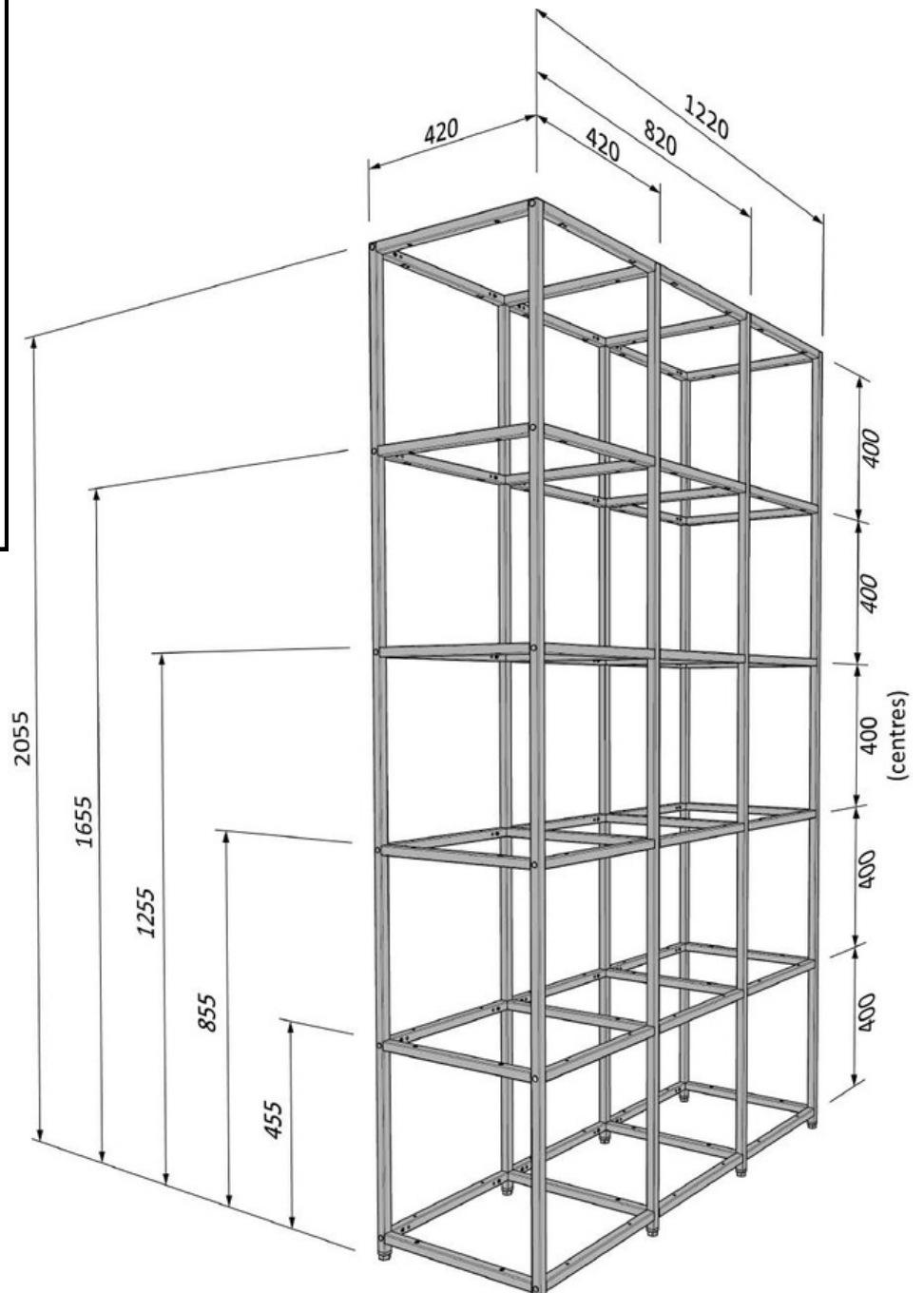
TECHNICAL

The Cubo range is based upon a 20x20mm box steel framework with fully welded end frames. Horizontal rails and horizontal end ladders are attached via a 'knock down' fixing, allowing the range to be delivered 'flat-pack' with only simple assembly required on site. The range is based on a 400x400mm grid, with the centreline of vertical and horizontal rails spaced at multiples of these centres, dependant on the configuration. The overall depth of end ladders is 420mm



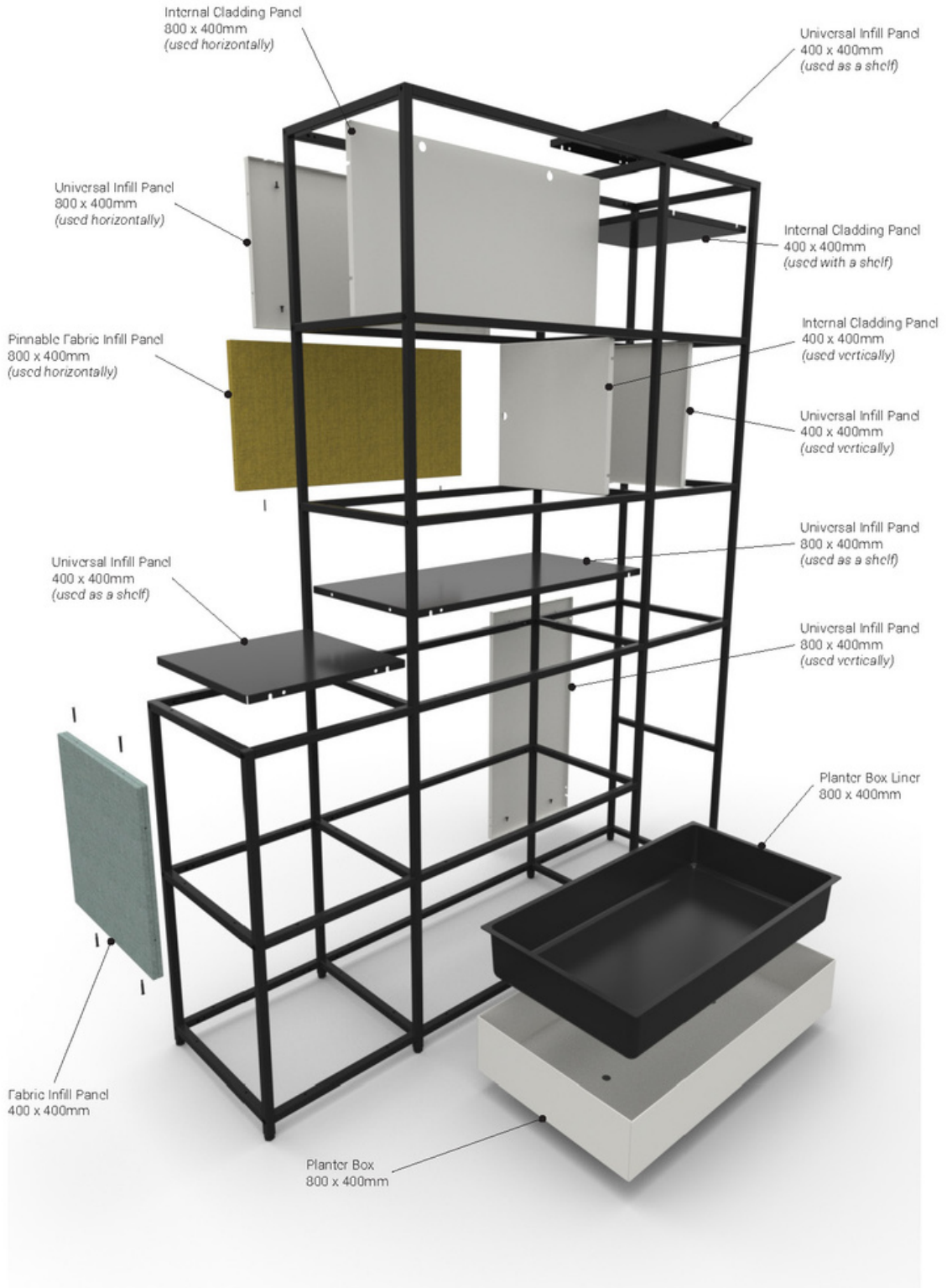
Make Cubo Mobile!

Now available on castors for ease of changing spaces to suit flexible and hybrid working styles



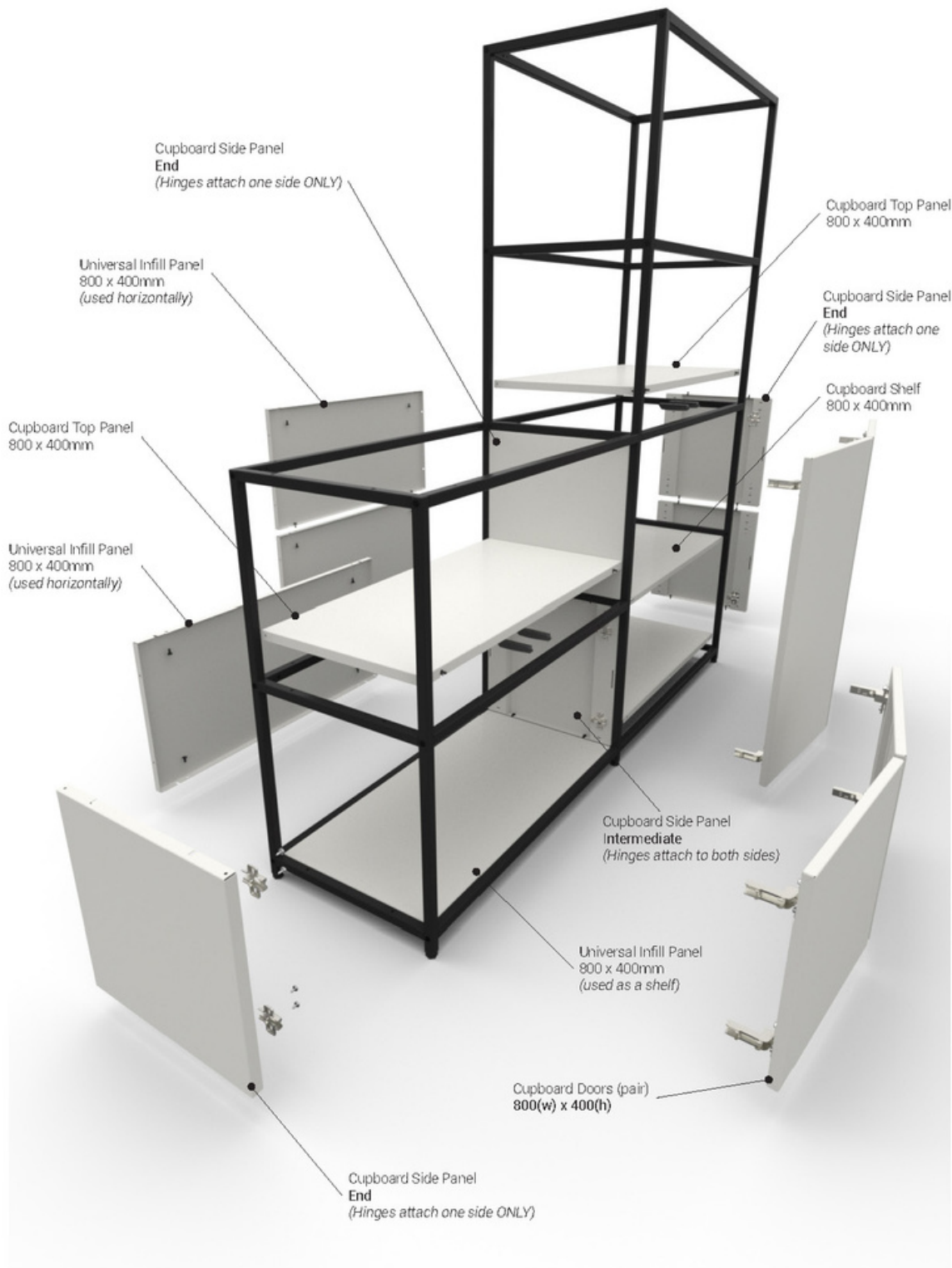
TECHNICAL

Infills & Accessories

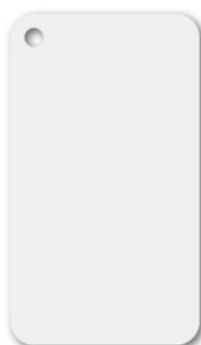


TECHNICAL

Steel Cupboard componentry



STEEL FINISHES



TRAFFIC WHITE
TEXTURED SATIN (30% GLOSS)
RAL9016



TRAFFIC BLACK
SMOOTH SATIN (30% GLOSS)
RAL9017



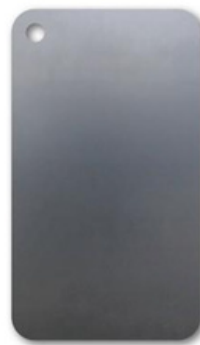
OXIDE RED
TEXTURED SATIN (30% GLOSS)
RAL3009



ANTHRACITE GREY
TEXTURED SATIN (30% GLOSS)
RAL7016



SILVER GREY
SMOOTH SATIN (30% GLOSS)
RAL9006



CLEAR COAT
SMOOTH SATIN (30% GLOSS)
CLEAR



GREEN BLUE
SMOOTH MATT
RAL5001



REED GREEN
SMOOTH MATT
RAL6013



PALE GREEN
SMOOTH MATT
RAL6021



HONEY YELLOW
SMOOTH MATT
RAL1005



SALMON PINK
SMOOTH MATT
RAL3022



STONE GREY
SMOOTH MATT
RAL7030

MFC FINISHES



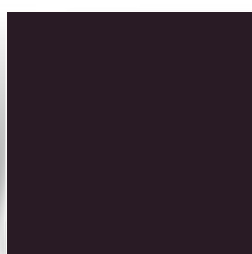
Sorano Oak



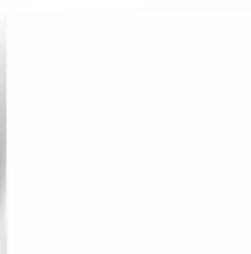
Hamilton Oak



Graphite



Black



White

FINISHES

Fabric Panels. Camira Blazer Lite



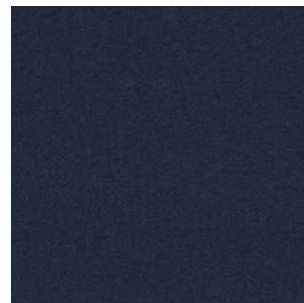
Retreat



Harmony



Wish



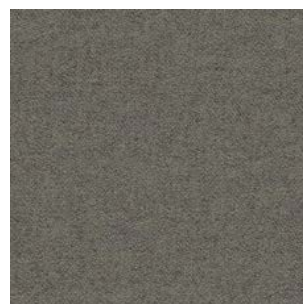
Mood



Hope



Buddha



Tender



Daydream

PLANTERS

PLANTS is a mobile planting system designed to facilitate the introduction of biophilia into the workplace. Available in four pre-set designs and supplied with Hamilton Oak MFC cladding slats as standard and artificial plants (Optional); the PLANTS range features both upper and lower level waterproof planting troughs, with the lower level being height adjustable to accommodate differing height plants. PLANTS is supplied with castors for mobility as standard.



Biophilia (*noun*) *bio·phil·ia*

: a hypothetical human tendency to interact or be closely associated with other forms of life in nature: a desire or tendency to commune with nature



TECHNICAL

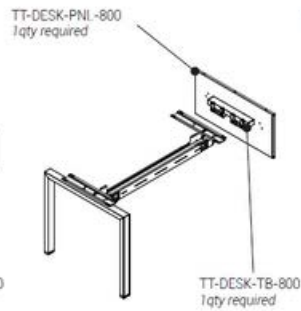
Integrated Osimo Tables



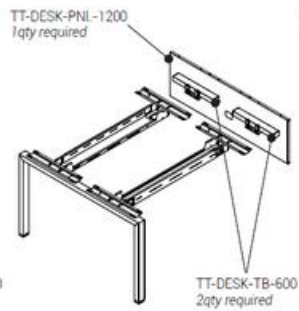
600 Deep Desk
800x400 Grid Aperture



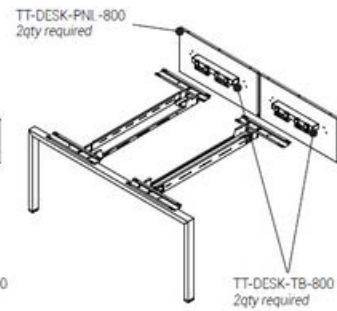
800 Deep Desk
800x400 Grid Aperture



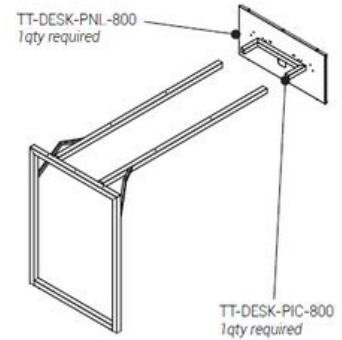
1200 Deep Desk
1200x400 Grid Aperture



1600 Deep Desk
2qty 800x400 Grid Aperture



800 Deep Desk - 1100h
800x400 Grid Aperture

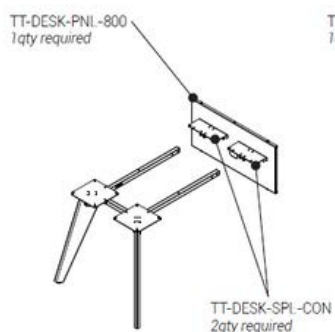


TECHNICAL

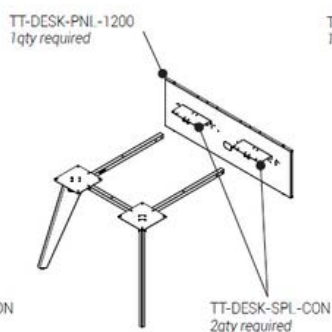
Integrated Ramo Tables



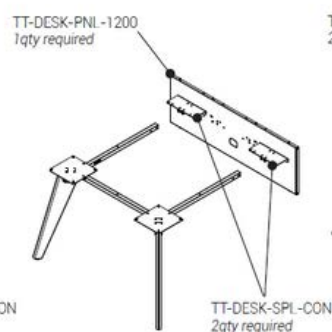
800 Deep Desk
800x400 Grid Aperture



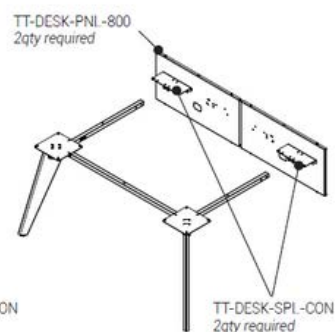
1000 Deep Desk
1200x400 Grid Aperture



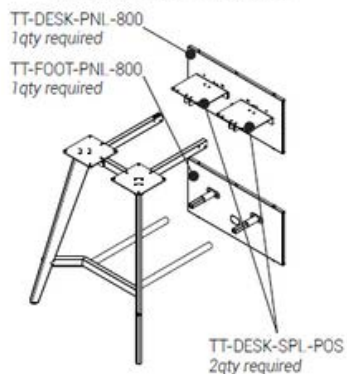
1200 Deep Desk
1200x400 Grid Aperture



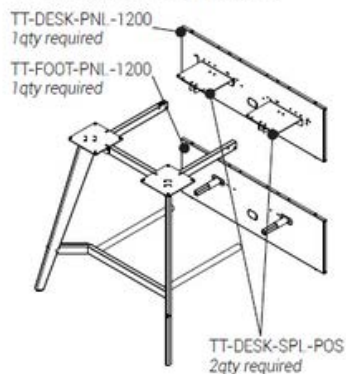
1600 Deep Desk
2 qty 800x400 Grid Aperture



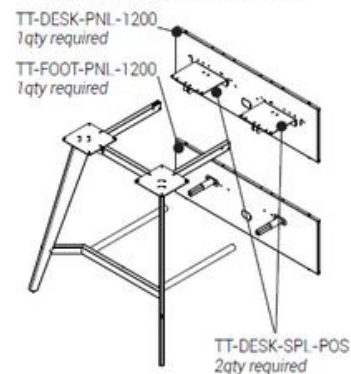
800 Deep Desk
2x 800x400 Grid Aperture



1000 Deep Desk
2x 1200x400 Grid Aperture



1200 Deep Desk
2x 1200x400 Grid Aperture



**OTTO
RAMO
DELFINO
GIO
DISCO
OSIMO
AERO
MIO
TRANQUILLO
RADUNO
TAVOLO
CUBO**


insieme
TOGETHER

sagal  creating
inspirational
spaces

SAGAL GROUP,
1ST FLOOR, 77 BASTWICK STREET, LONDON, EC1V 3PZ

T. 020 7253 7390
E. INFO@SAGALGROUP.CO.UK

@SAGALGROUP
LOVEWHEREYOUWORK